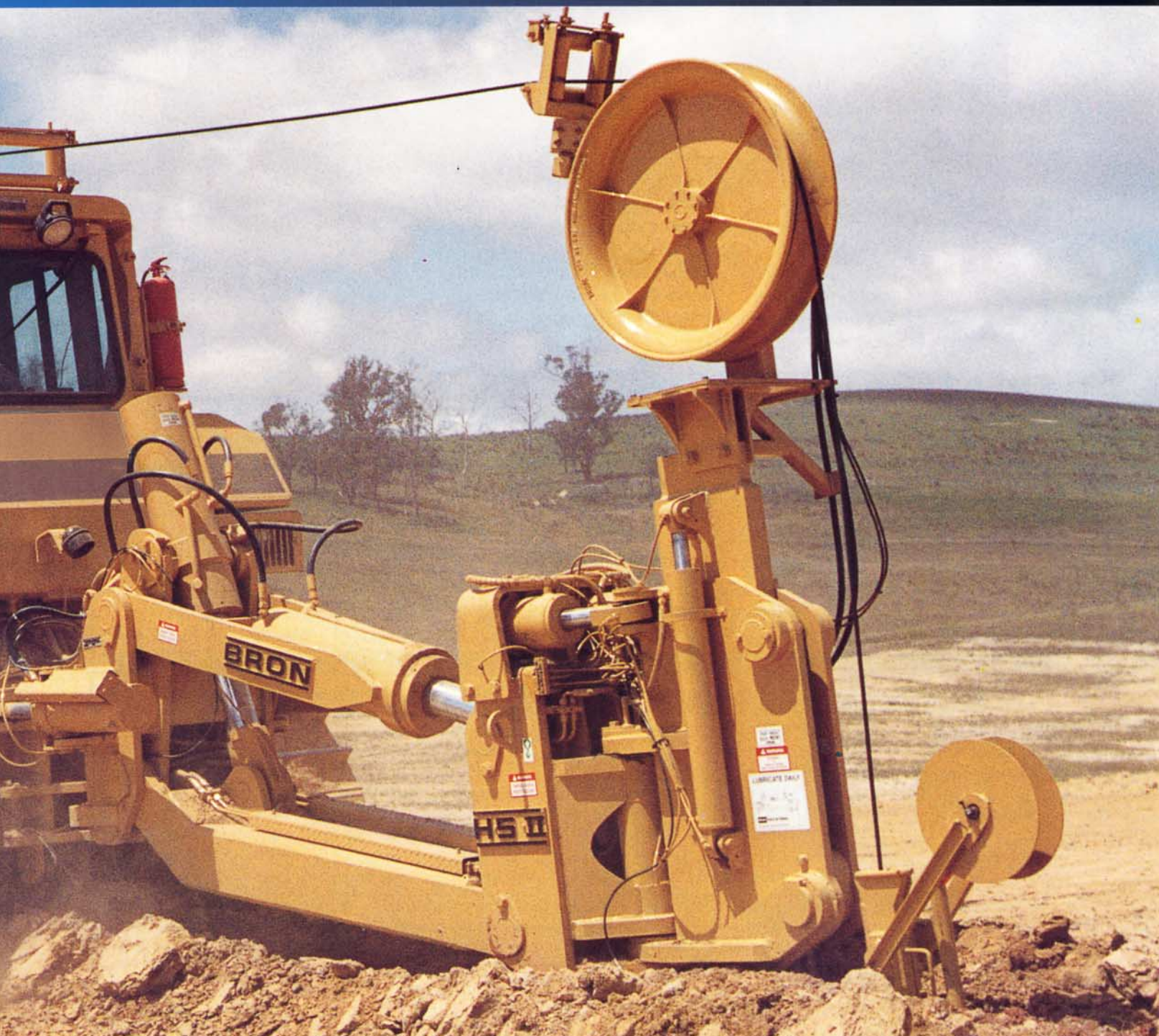


**RWF BRON**

# Add-On Static & Vibratory Utility Plows

THE POWER TO PERFORM



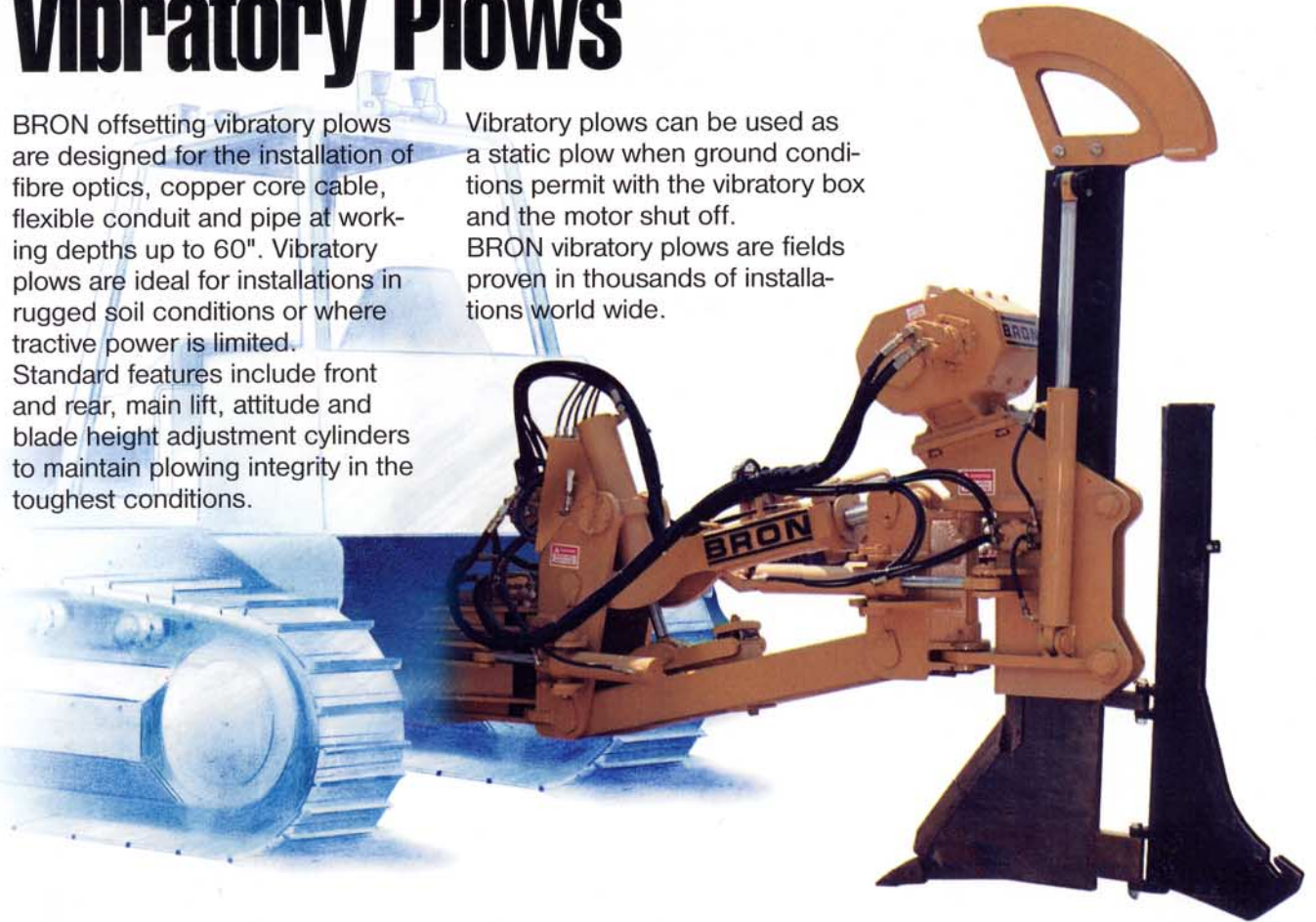
# Vibratory Plows

BRON offsetting vibratory plows are designed for the installation of fibre optics, copper core cable, flexible conduit and pipe at working depths up to 60". Vibratory plows are ideal for installations in rugged soil conditions or where tractive power is limited.

Standard features include front and rear, main lift, attitude and blade height adjustment cylinders to maintain plowing integrity in the toughest conditions.

Vibratory plows can be used as a static plow when ground conditions permit with the vibratory box and the motor shut off.

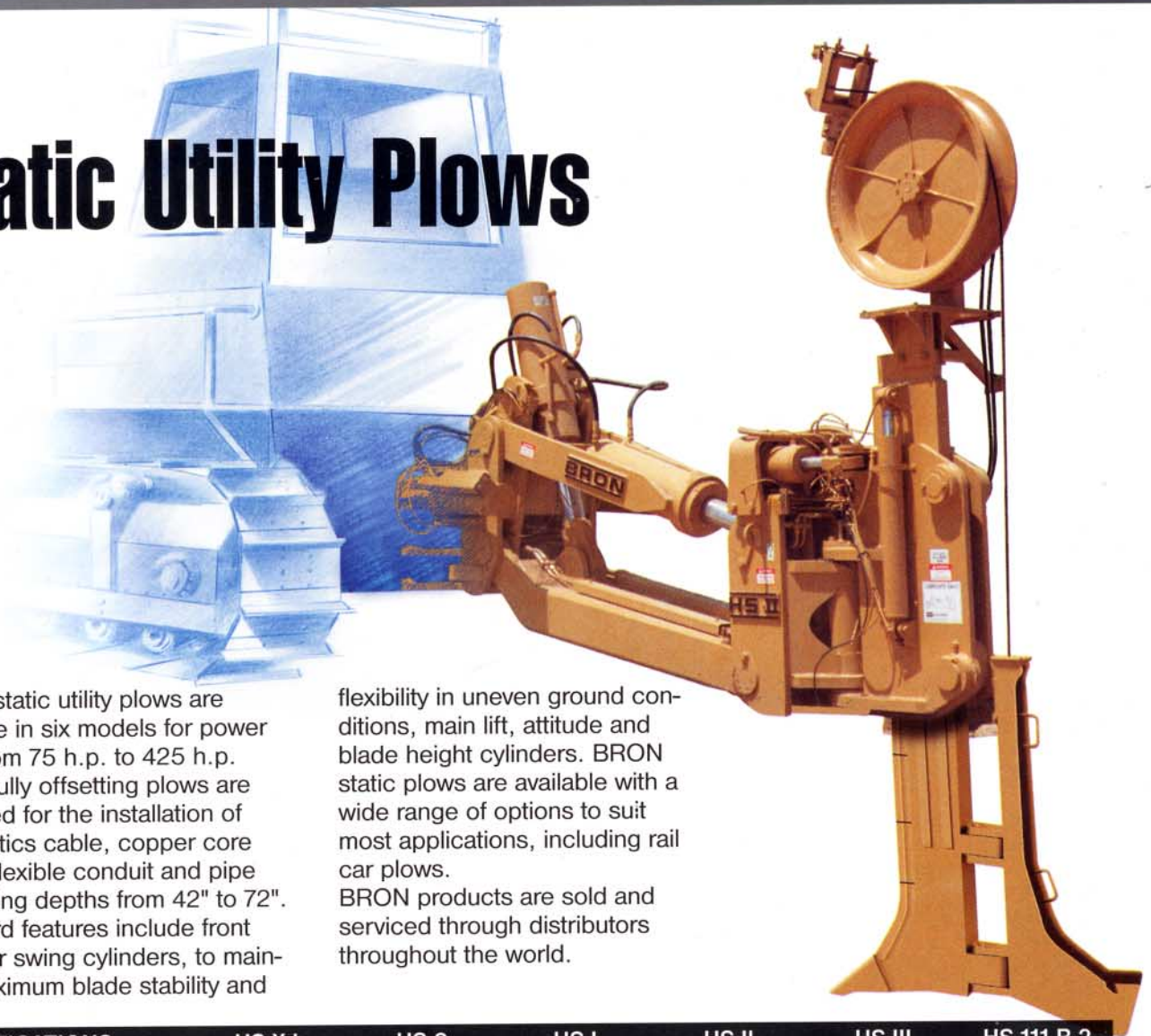
BRON vibratory plows are fields proven in thousands of installations world wide.



SPECIFICATIONS	V-65-I	V-75-I	V-75-2	V-100
Backplate, thickness- in. (cm)	3/4 (1.9)	1 (2.54)	1 (2.54)	1 1/2 (3.8)
Maximum working depth- in. (cm)	38 (96.5)	42 (106.7)	48 (122)	60 (152.4)
Length of plow assembly*- in. (cm)	102 (259)	108 (274)	112 (285)	135 (343)
Offset range, left and right of centre - in. (cm)	42 (107)	48 (122)	51 (129.5)	60 (152.5)
Shank Clearance transport position** - in. (cm)	20 (51)	22 (56)	22 (56)	24 (61)
Recommended tractor h.p. range - h.p. (kw)	50-75 (37-56)	75-130 (56-97)	120-150 (90-112)	150-200 (112-150)
GPM total hydraulic pump for plow - U.S. gal. (l/m)	40 (150)			
Approx. weight of plow - lbs. (kg)	2100 (953)	3200 (1450)	4200 (1905)	6400 (2903)
<b>CYLINDERS (Quantity, Bore, Rod Diameter)</b>				
Main Lift - in. (mm)	1 5 2 (127) (50.8)	1 5 1/2 2 (139.7) (50.8)	1 5 1/2 2 (139.7) (50.8)	1 7 3 1/2 (177.8) (88.9)
Front Swing - in. (mm)	2 3 1 1/2 (76.2) (38.1)	2 3 1/2 1 3/4 (88.9) (44.45)	2 3 1/2 1 3/4 (88.9) (44.45)	2 5 2 1/2 (127) (63.5)
Rear Swing - in. (mm)	1 3 1 1/2 (76.2) (38.1)	1 3 1/2 1 3/4 (88.9) (44.45)	2 3 1/2 1 3/4 (88.9) (44.45)	1 5 2 1/2 (127) (63.5)
Attitude - in. (mm)	- - -	1 6 3 (152.4) (76.2)	1 6 3 (152.4) (76.2)	1 7 3 1/2 (177.8) (88.9)
Blade Lift - in. (mm)	- - -	1 3 1/2 2 (88.9) (50.8)	1 3 1/2 2 (88.9) (50.8)	1 3 1/2 2 (88.9) (50.8)

\*Without blade and chute. \*\* Blade fully retracted. Will vary according to make and model of tractor.

# Static Utility Plows



BRON static utility plows are available in six models for power units from 75 h.p. to 425 h.p. These fully offsetting plows are designed for the installation of fibre optics cable, copper core cable, flexible conduit and pipe at working depths from 42" to 72". Standard features include front and rear swing cylinders, to maintain maximum blade stability and

flexibility in uneven ground conditions, main lift, attitude and blade height cylinders. BRON static plows are available with a wide range of options to suit most applications, including rail car plows. BRON products are sold and serviced through distributors throughout the world.

SPECIFICATIONS	HS-X-1	HS-0	HS-I	HS-II	HS-III	HS-111 R-2
Backplate, thickness - in. (cm)	1 (2.54)	1 ½ (3.81)	1 ½ (3.81)	2 (5.08)	2 (5.08)	2 (5.08)
Maximum working depth - in. (cm)	42 (107)	60 (152)	60 (152)	66 (168)	72 (183)	72 (183)
Length of plow assembly* - in. (cm)	108 (274)	135 (343)	172 (437)	183 (465)	192 (488)	221 (561)
Offset range, left and right of centre						
- in. (cm)	48 (122)	60 (152.5)	66 (168)	65 (165)	72 (183)	138 (350)
Shank Clearance transport position**						
- in. (cm)	22 (56)	24 (61)	30 (76)	30 (76)	30 (76)	N/A
Recommended tractor h.p. range						
- h.p. (kw)	75-140 (55-105)	150-180 (110-135)	150-200 (110-150)	210-300 (155-225)	320-425 (240-315)	-
Approx. wgt. of plow - lbs. (kg)	2600 (1180)	5900 (2675)	8700 (3950)	11200 (5080)	14750 (6697)	21,500 (9761)
<b>CYLINDERS (Quantity, Bore, Rod Diameter)</b>						
Main Lift - in. (mm)	1 5 ½ 2 (139.7) (50.8)	1 7 3 ½ (177.8) (88.9)	1 8 4 (203.2) (101.6)	1 9 5 (228.6) (127)	2 7 3 ½ (177.8) (88.9)	2 7 3 ½ (177.8) (88.9)
Front Swing - in. (mm)	2 3 ½ 1 ¾ (88.9) (445)	2 5 2 ½ (127) (63.5)	2 5 2 ½ (127) (63.5)	2 6 2 ½ (152.4) (63.5)	2 6 2 ½ (152.4) (63.5)	2 6 2 ½ (152.4) (63.5)
Rear Swing - in. (mm)	1 3 ½ 1 ¾ (88.9) (445)	1 5 2 ½ (127) (63.5)	2 6 2 ½ (152.4) (63.5)	2 6 2 ½ (152.4) (63.5)	2 6 2 ½ (152.4) (63.5)	2 6 2 ½ (152.4) (63.5)
Attitude - in. (mm)	1 6 3 (152.4) (762)	1 7 3 ½ (177.8) (88.9)	1 9 4 (228.6) (101.6)	1 10 5 (254) (127)	1 10 5 (254) (127)	1 10 5 (254) (127)
Blade Lift - in. (mm)	1 3 ½ 2 (88.9) (50.8)	1 3 ½ 2 (88.9) (50.8)	2 3 ½ 2 (88.9) (50.8)	2 3 ½ 2 (88.9) (50.8)	2 3 ½ 2 (88.9) (50.8)	2 3 ½ 2 (88.9) (50.8)

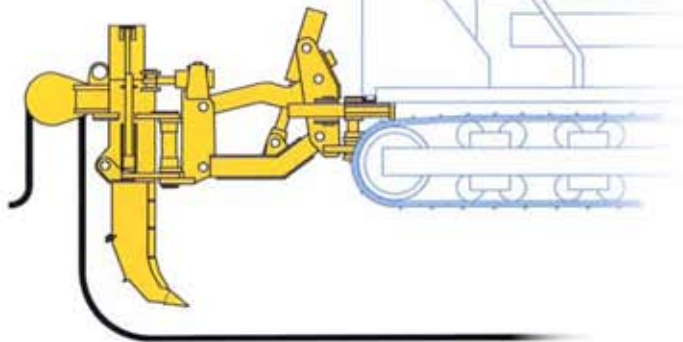
\*Without blade and chute. \*\* Blade fully retracted. Will vary according to make and model of tractor.

**WARNING:** This equipment must be used in connection with a ROPS or canopy sufficient to withstand its added weight in the event of a rollover. When an assist tractor is required in ripping or installation, warranty is void if the assist tractor has greater horsepower than the tractor on which the equipment is mounted. RWF reserves the right to make improvements in design, material and/or changes in specifications at any time without notice and without incurring any obligation related to such changes.

# BRON Utility Plow Accessories

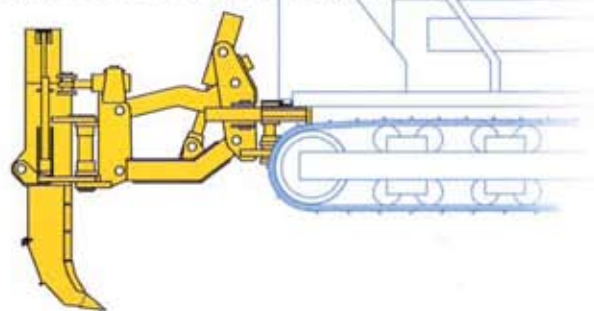
## BRON Add-On Cable Recovery Plow

For fast recovery of buried utility cable. The BRON cable recovery plow prevents environmental damage caused by conventional trenching methods and allows utility companies to re-use the right-of-way for new utility installations.

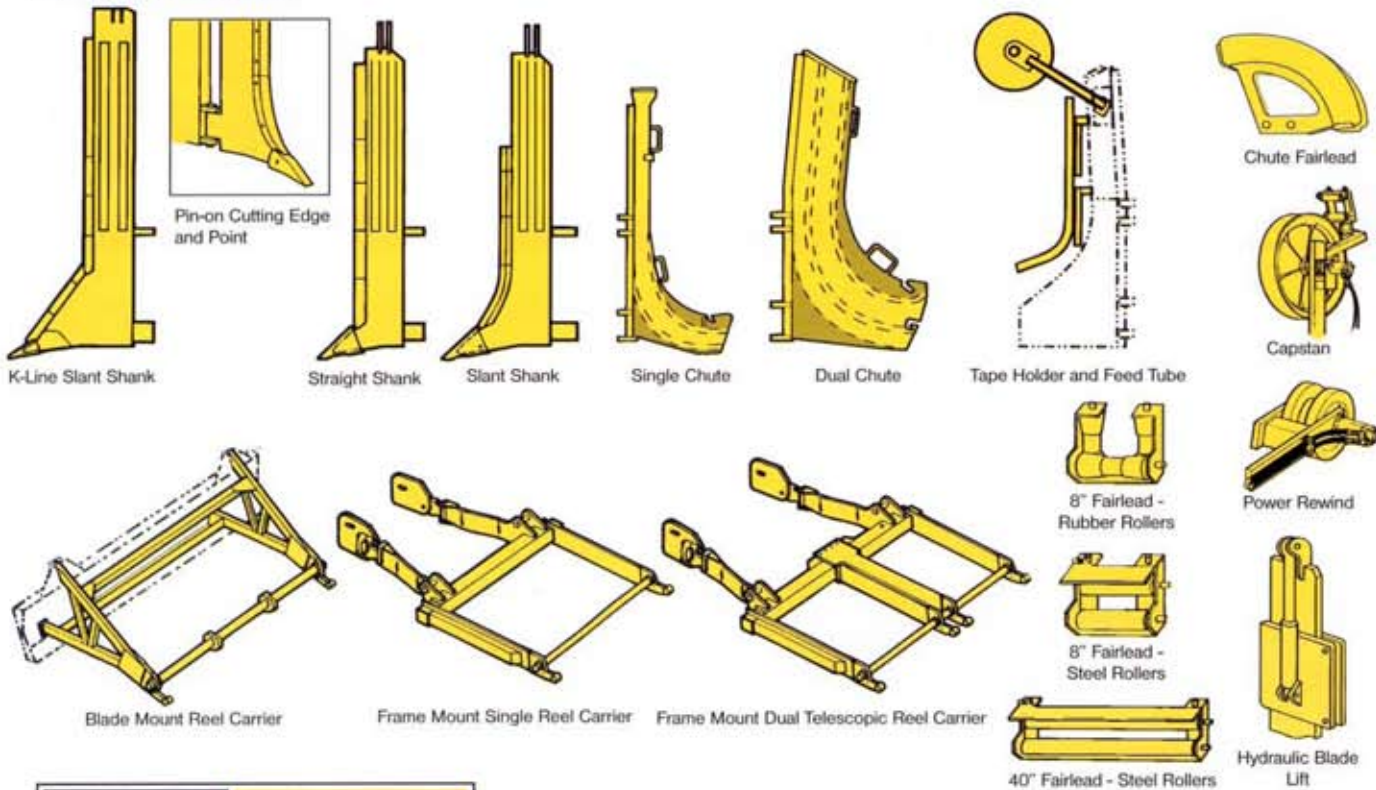


## BRON Offsetting Pre-Ripper

The BRON pre-ripper features an hydraulic adjustable ripper shank for depths up to 66". The ripper is fully offsetting left and right and is available for power unit from 210 h.p. to 325 h.p. For fast utility installation, pre-rip with the only offsetting ripper on the market. Another innovative BRON design.



## Accessories



Sold and serviced throughout the world.  
RWF BRON is a trademark of Roberts Welding and Fabricating Ltd.

**RWF Industries: [www.rwfbron.com](http://www.rwfbron.com)**

A division of Roberts Welding and Fabricating Ltd.

873 Devonshire Avenue, Woodstock, ON, Canada, N4S 8Z4

Phone: 519-421-0036

Toll Free: 1-800-263-1060

Fax: 519-421-0028

Email: [info@rwfbron.com](mailto:info@rwfbron.com)

RWF reserves the right to make improvements in design, material and/or changes in specifications at any time without notice and without incurring any obligation related to such changes.



CAT is a registered trademark of Caterpillar Tractor Co.  
Cummins is a registered trademark of Cummins Engine Company Incorporated