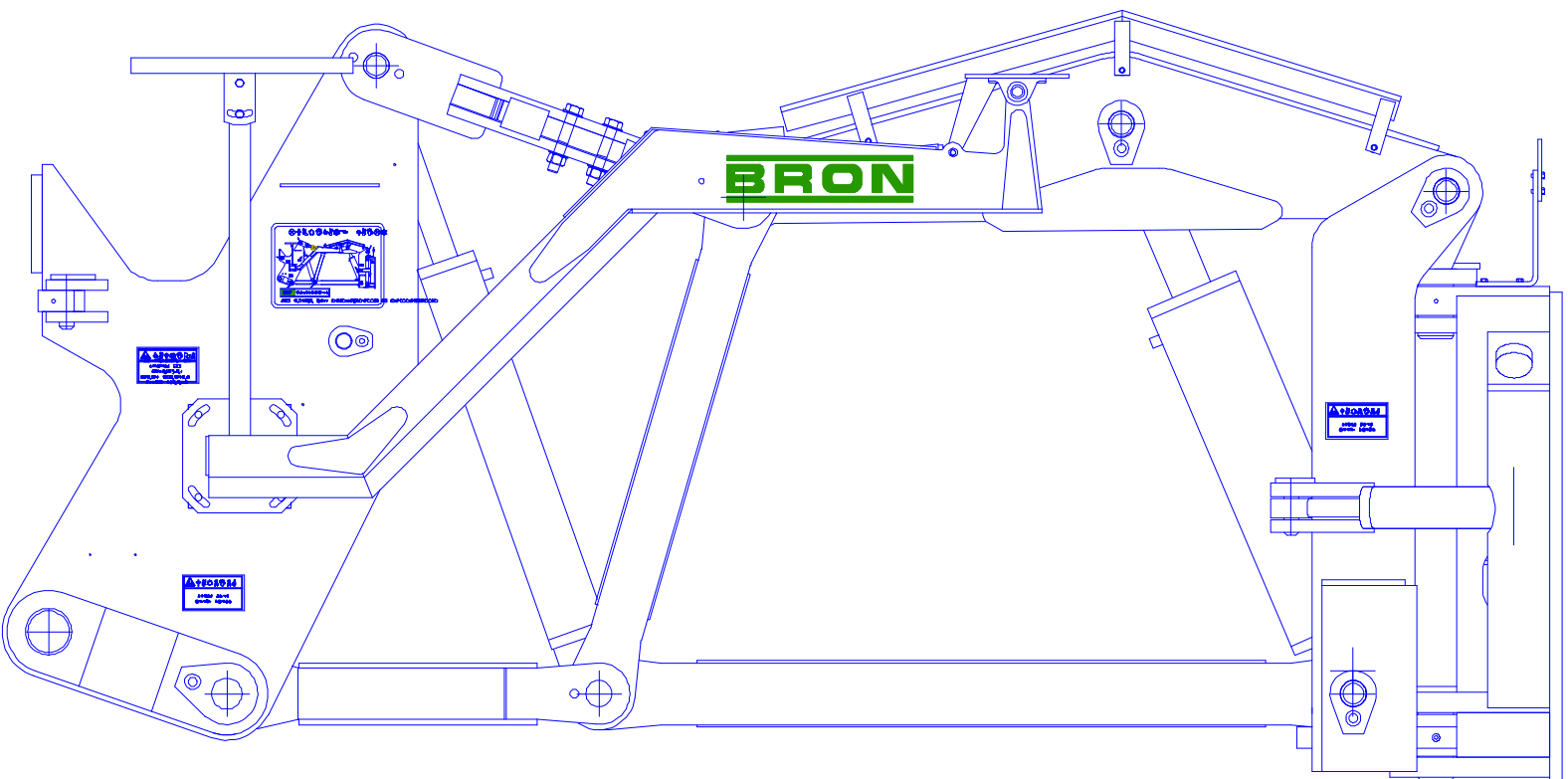
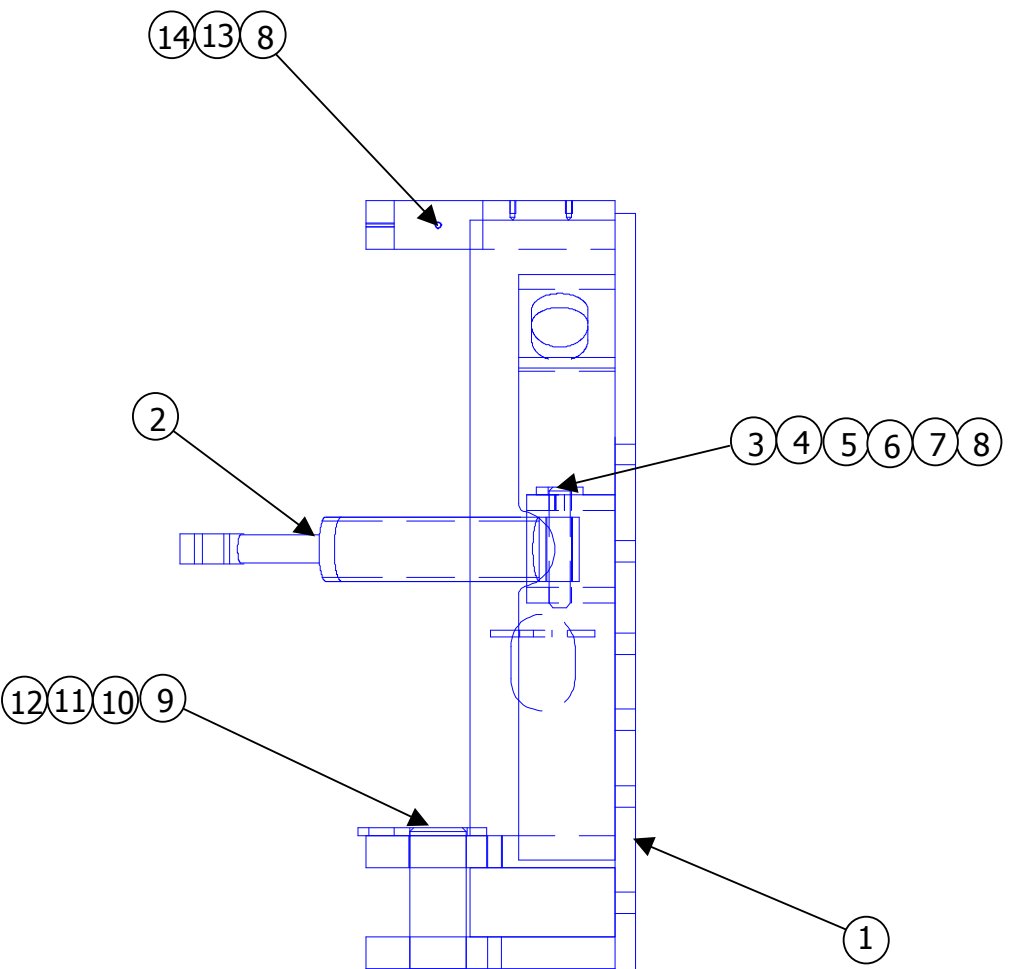
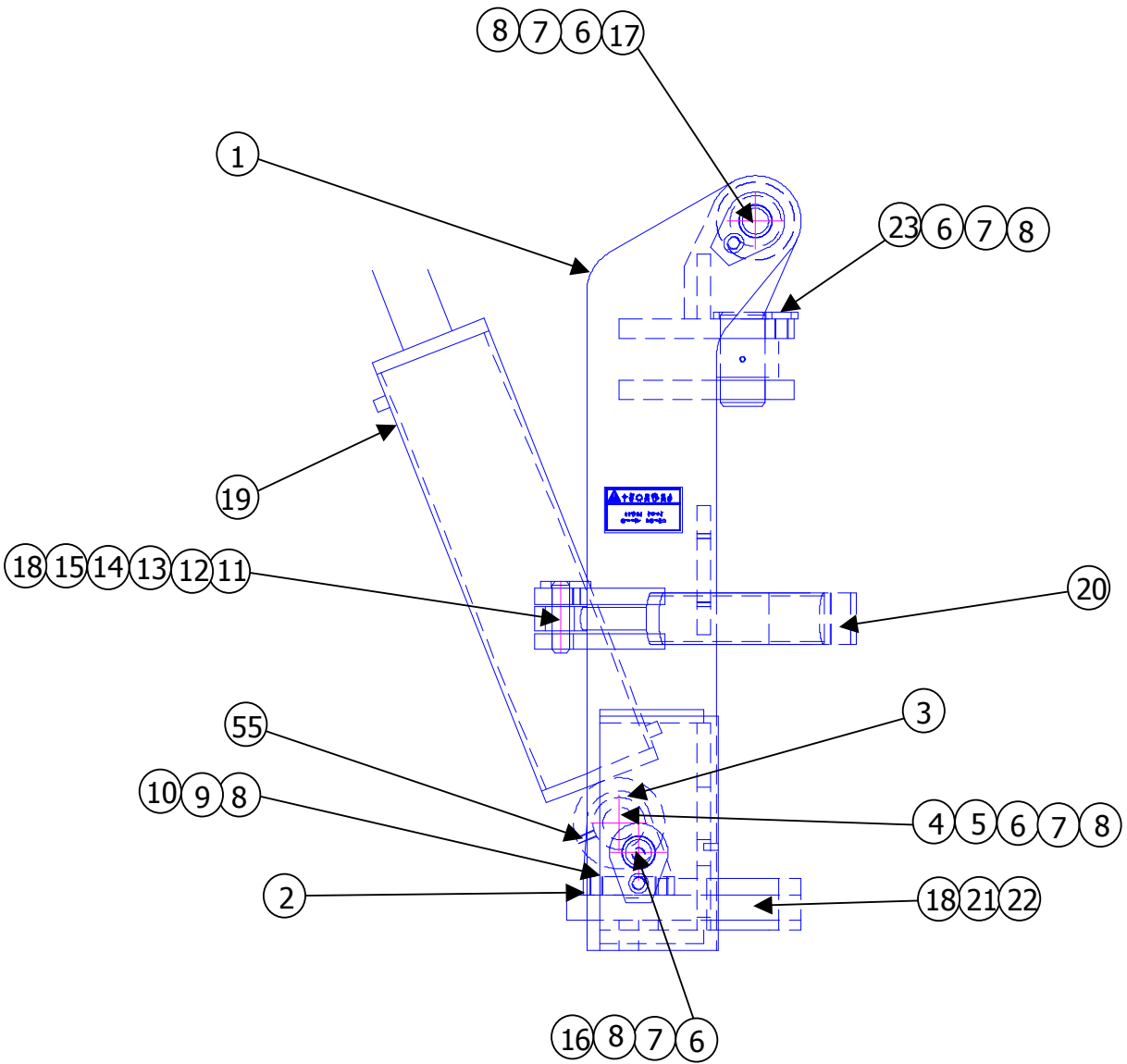


BRON STATIC FLOW

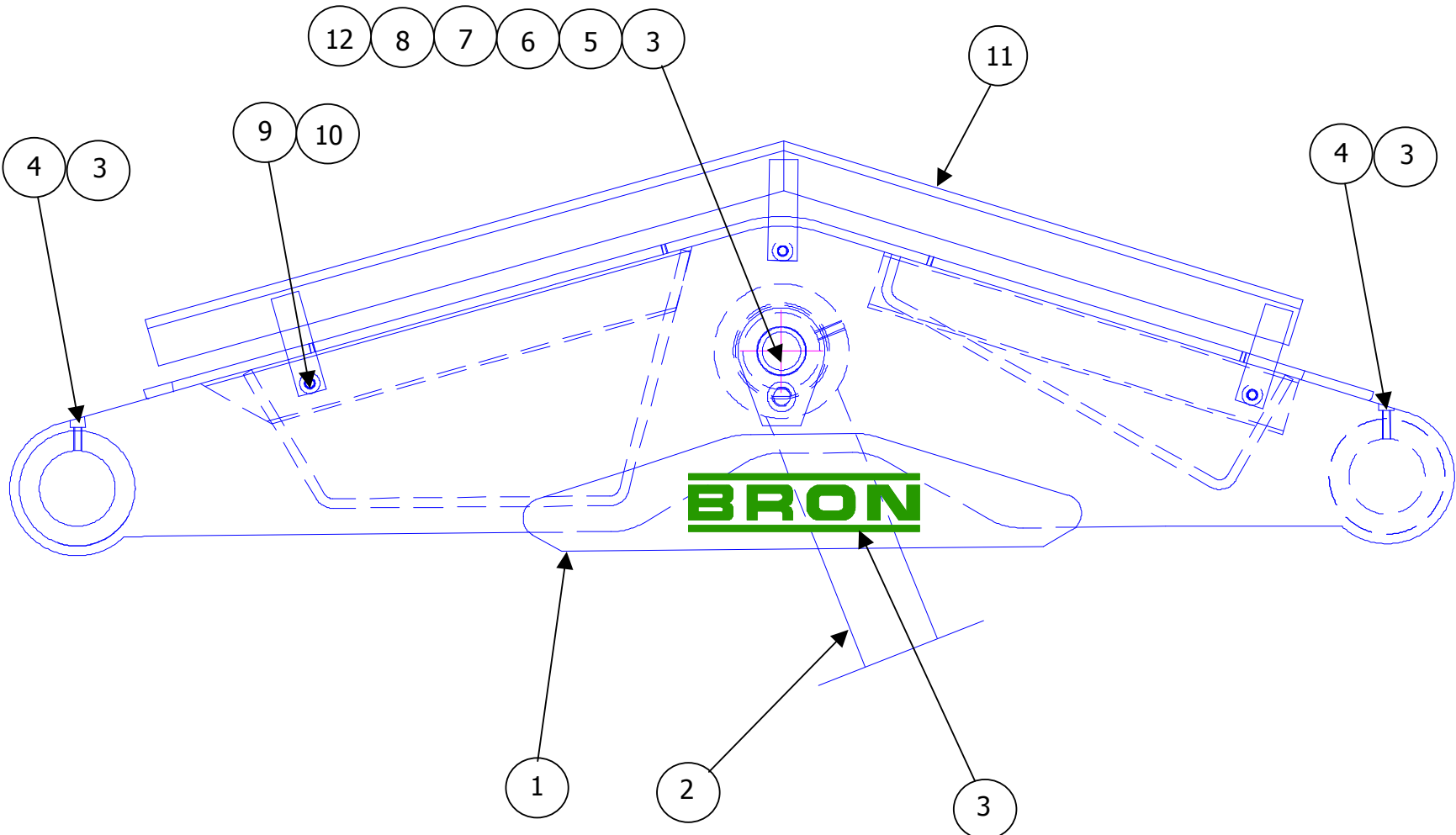




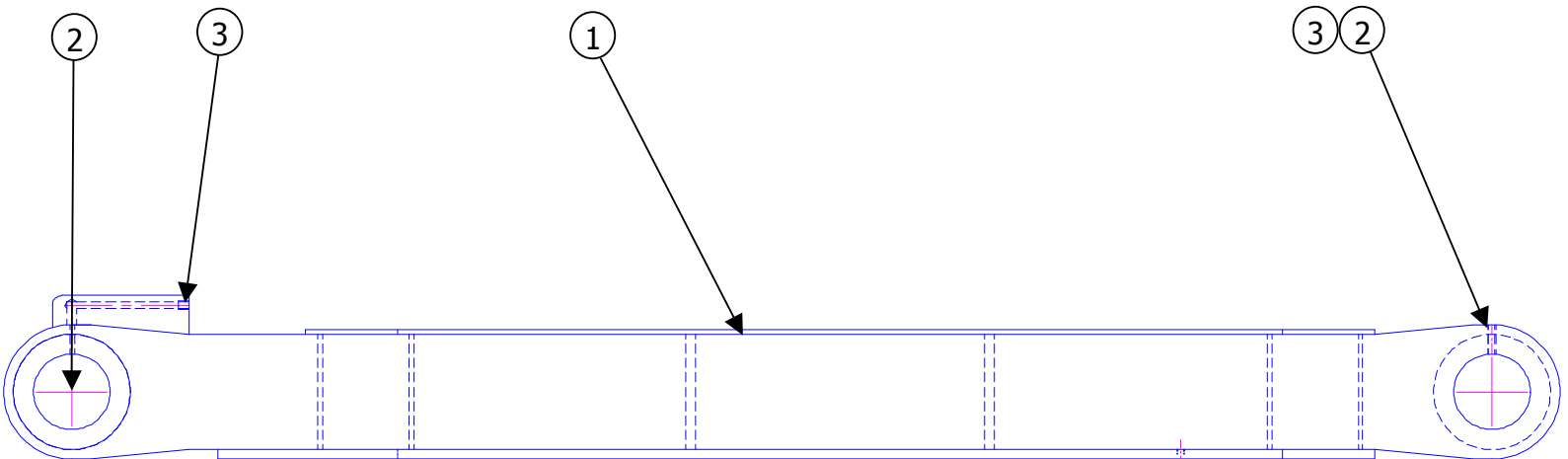
Item #	Part #	Description	Quantity
1		Backplate Assembly (Varies)	1
2	9900433	Swing Cylinder	2
3	113577	Pin Assembly	2
4	16311	Swivel Bushing	2
5	114862	Bushing	2
6	80090	Bolt	2
7	80555	SAE Washer	2
8	80680	Grease Fitting	3
9	113588	Pin Assembly	1
10	114851	Bushing	1
11	80155	Bolt	1
12	80558	SAE Washer	1
13	12006	Swivel Bushing	1
14	80605	Set Screw	2



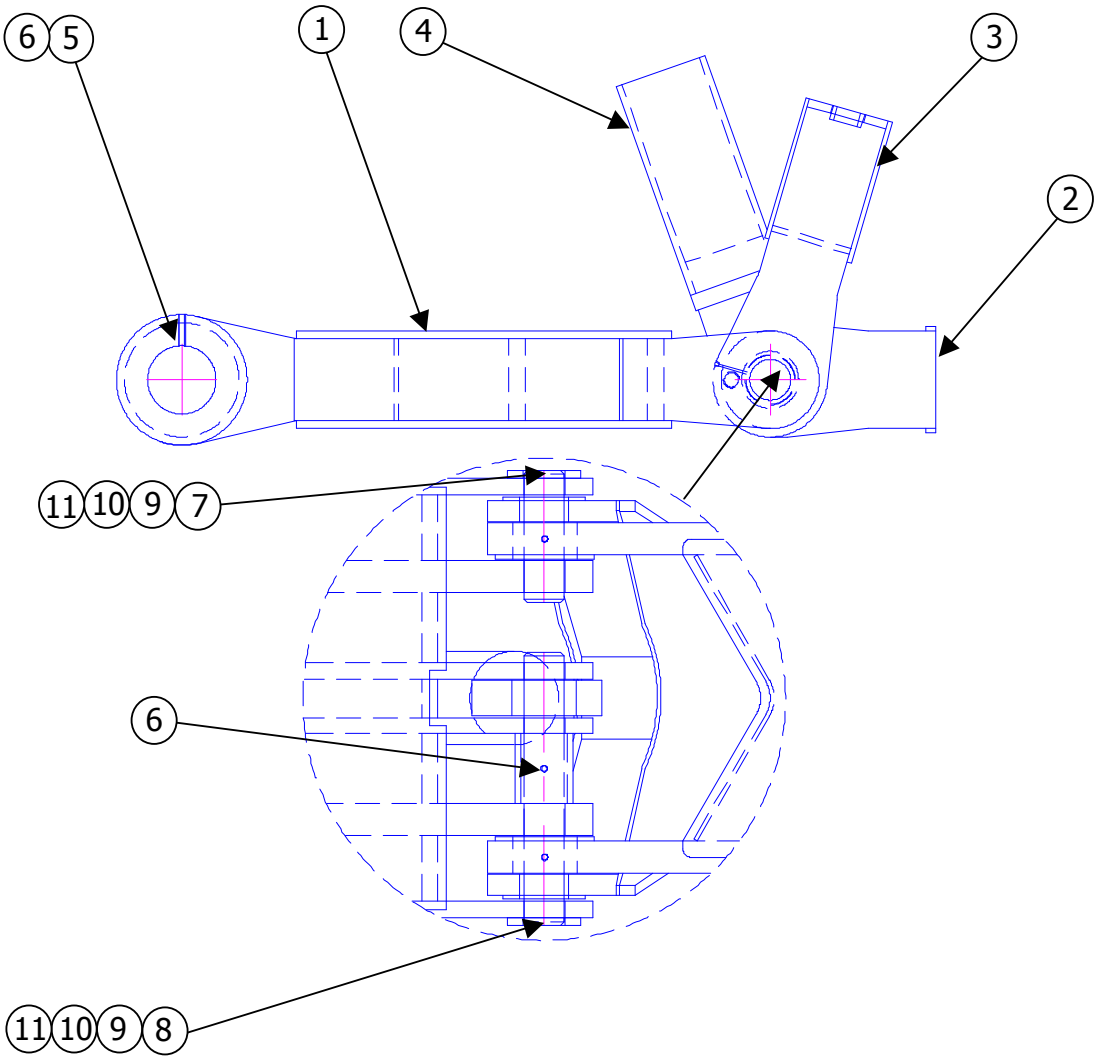
Item #	Part #	Description	Quantity
1	40021	Front Mast Machining	1
2	16322	Cylinder Clevis Keeper	2
3	112805	Clevis Bracket	1
4	12003	Bushing	1
5	115738	Pin Assembly	1
6	114851	Bushing	5
7	80157	Bolt	5
8	80558	SAE Washer	11
9	80165	Bolt	6
10	80571	Lock Washer	6
11	12001	Swivel Bushing	2
12	113576	Pin Assembly	2
13	114862	Bushing	2
14	80090	Bolt	2
15	80555	SAE Washer	2
16	113584	Pin Assembly	1
17	115736	Pin Assembly	2
18	80680	Grease Fitting	3
19	17853	Grade Cylinder	1
20	17852	Swing Cylinder	2
21	12006	Swivel Bushing	1
22	80605	Set Screw	2
23	116841	Pin Assembly	1



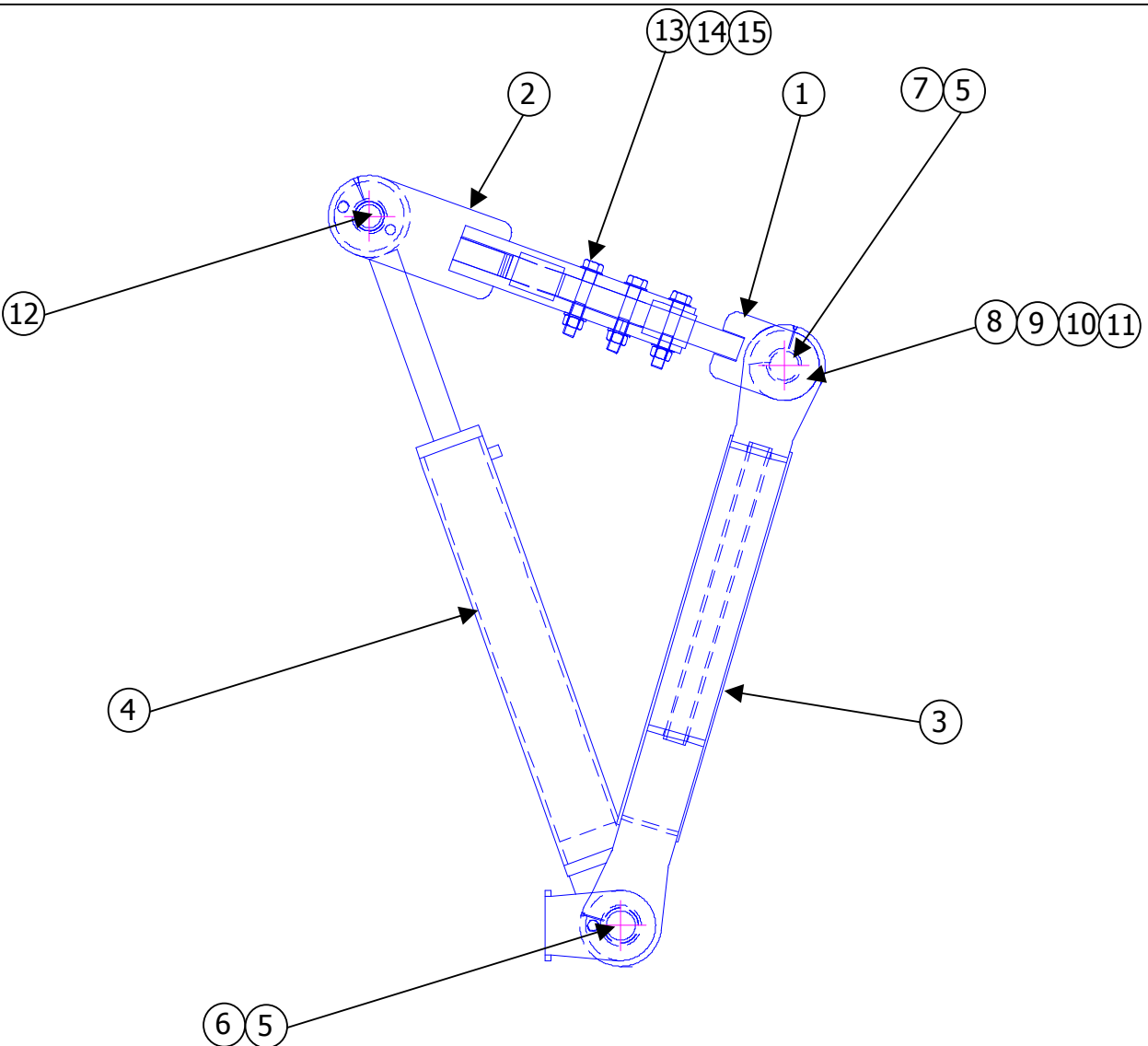
Item #	Part #	Description	Quantity
1	40013	Upper Link	1
2	17853	Grade Cylinder	1
3	12003	Bushing	6
4	80680	Grease Fitting	4
5	113585	Pin Assembly	1
6	114851	Bushing	1
7	80157	Bolt	1
8	80558	SAE Washer	1
9	80070	Bolt	6
10	80567	Lock Washer	6
11	113706	Upper Front Link Catwalk Weld't	1
12	80682	Grease Fitting	1
13	16879	Decal- BRON	2



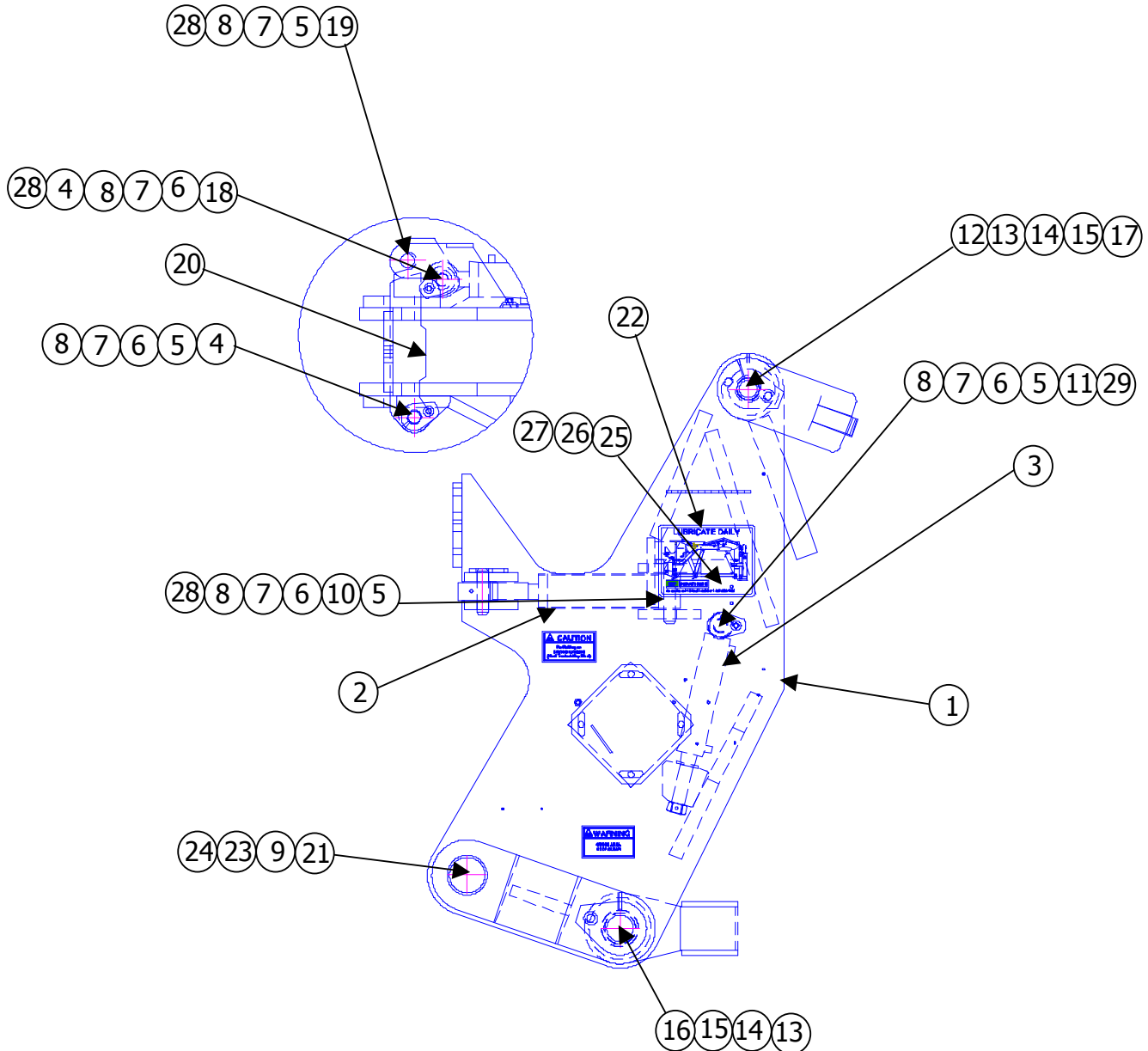
Item #	Part #	Description	Quantity
1	40012	Front Bottom Link Weldment	1
2	12003	Bushing	4
3	80680	Grease Fitting	4



Item #	Part #	Description	Quantity
1	21934	Lower Rear Link Weldment	1
2	40012	Front Bottom Link Weldment	1
3	21935	Front Vertical Link Weldment	1
4	117175	Float Cylinder	1
5	12003	Bushing	2
6	80680	Grease Fitting	3
7	113580	Pin Assembly	1
8	117176	Pin Assembly	1
9	114851	Bushing	2
10	80157	Bolt	2
11	80558	SAE Washer	2

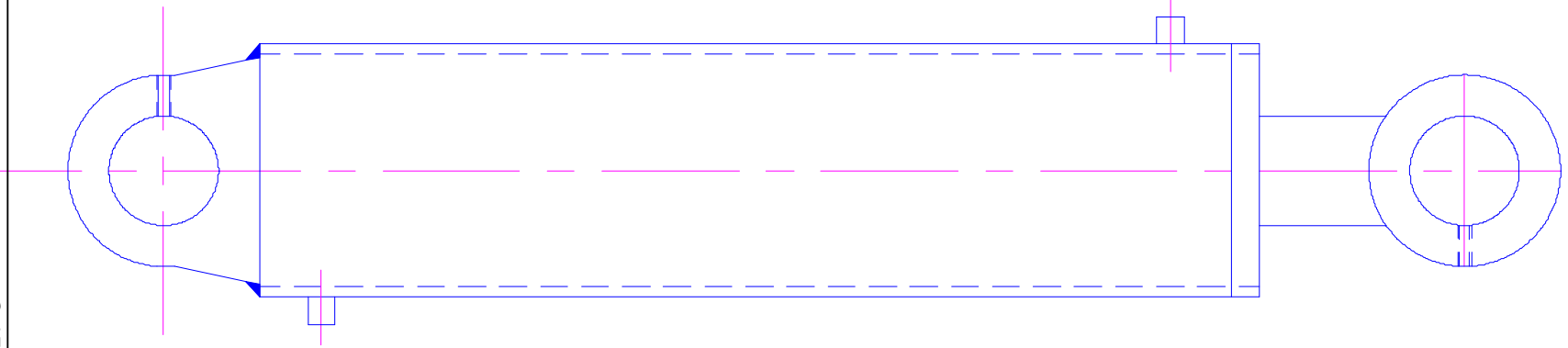


Item #	Part #	Description	Quantity
1	117301	Upper Link Weldment (Front)	1
2	21586	Bottom Link Weldment (Rear)	1
3	21935	Front Vertical Link Weldment	1
4	117175	Float Cylinder	1
5	16323	Bushing	2
6	80682	Grease Fitting	2
7	80680	Grease Fitting	2
8	117304	Pin Assembly	1
9	114851	Bushing	1
10	80157	Bolt	1
11	80558	SAE Washer	1
12	16062	Bushing	1
13	80168	Bolt	12
14	80519	Nut	12
15	80558	SAE Washer	12

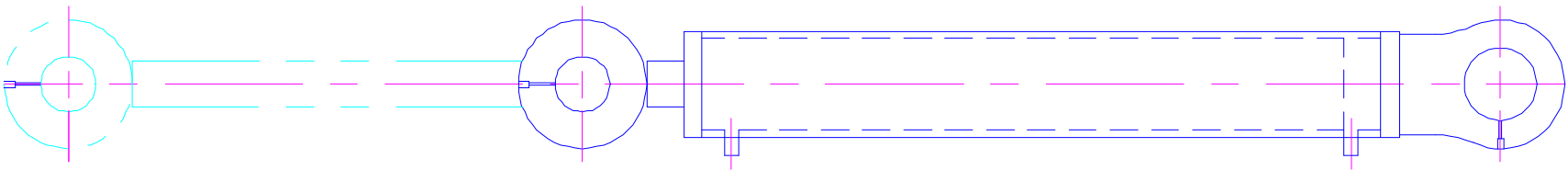


Item #	Part #	Description	Quantity
1	30394	Blade Holder Assembly	1
2	9900433	Swing Cylinder	1
3	13417	Blade Lock Cylinder	1
4	12264	Pin Asm	2
5	16311	Bushing	4
6	114862	Bushing	4
7	80090	Bolt	5
8	80555	SAE Washer	5
9	130091	Retainer Nut	1
10	12266	Pin Asm	1
11	110734	Pin Asm	1
12	113579	Pin Asm	1
13	114851	Bushing	3
14	80157	Bolt	3
15	80558	SAE Washer	3
16	116841	Pin Asm	2
17	16062	Bushing	2
18	12001	Bushing	1
19	9900441	Pin Asm	1
20	114615	Locking Arm	1
21	138822	Pin-Lower Blade Holder	1
22	117287	Lubrication Decal	1

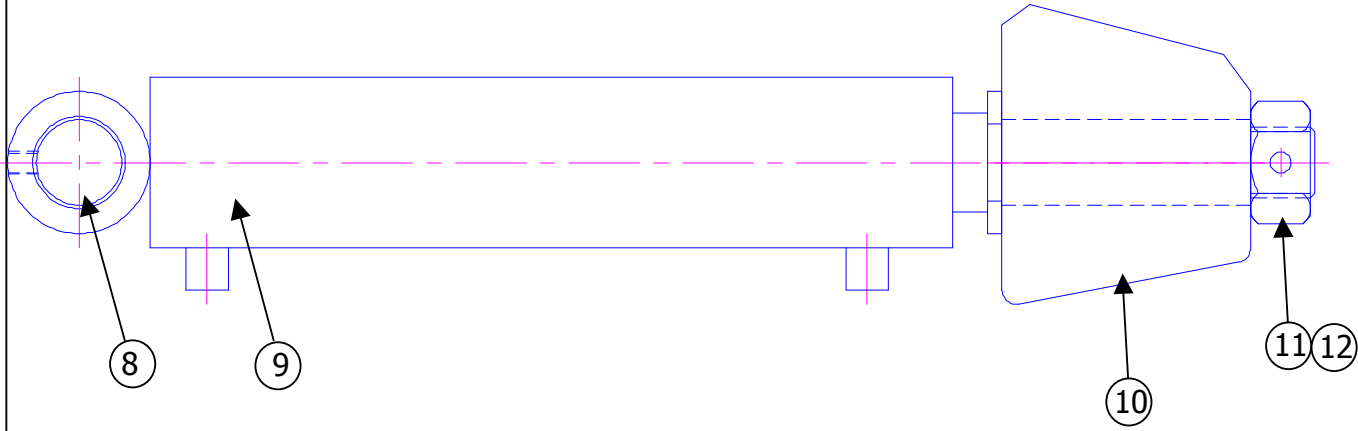
23	80111	Bolt	1
24	80582	Washer	1
25	13161	Lockout Valve	1
26	80014	Bolt	2
27	80551	Washer	2
28	80680	Grease Fitting	3
29	80682	Grease Fitting	1



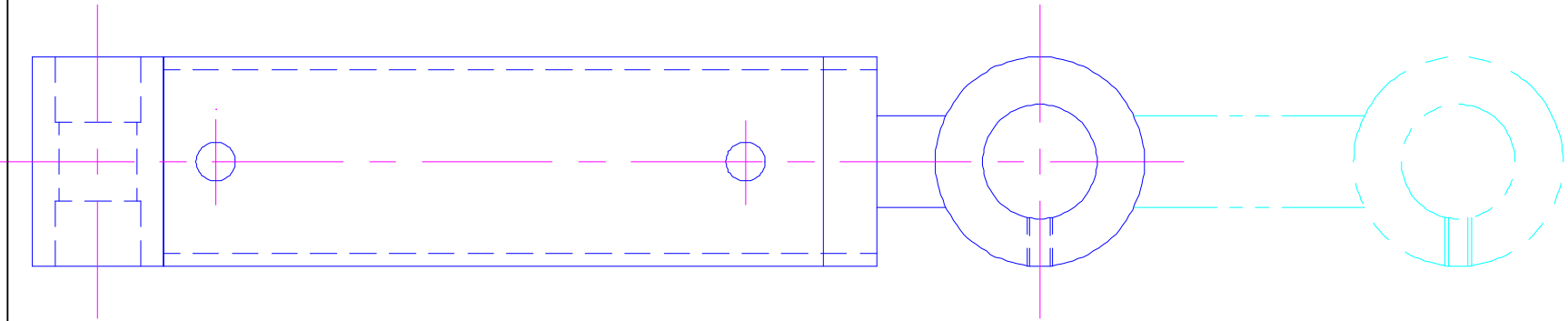
Item #	Part #	Description	Quantity
	12235	Grade Cylinder	
1	12003	Swivel Bushing	1
2	112062	Seal Kit	1
3	127782	Cylinder Lug	1
4	136217	Lug- Base Cyl	1



Item #	Part #	Description	Quantity
	117175	Float Cylinder	
1	121446	Seal Kit	1



Item #	Part #	Description	Quantity
	13417	Blade Lock Cylinder Asm	
1	12209	Barrel Weldment	1
2	10719	Stover Nut	1
3	12295	Piston	1
4	13451	Rod Weldment	1
5	12245	Gland	1
6	12009	Sleeve Bushing	1
7	12494	Seal Kit	1
8	16311	Bushing	2
9	16909	Blade Lock Cylinder	1
10	112762	Wedge	1
11	80509	Nut	1
12	80658	Cotter Pin	1



Item #	Part #	Description	Quantity
	9900433	Swing Cylinder	
1	12213	Bushing	1
2	12001	Swivel Bushing	1
3	14126	Seal Kit	1
4	134104	Rod Weldment	1