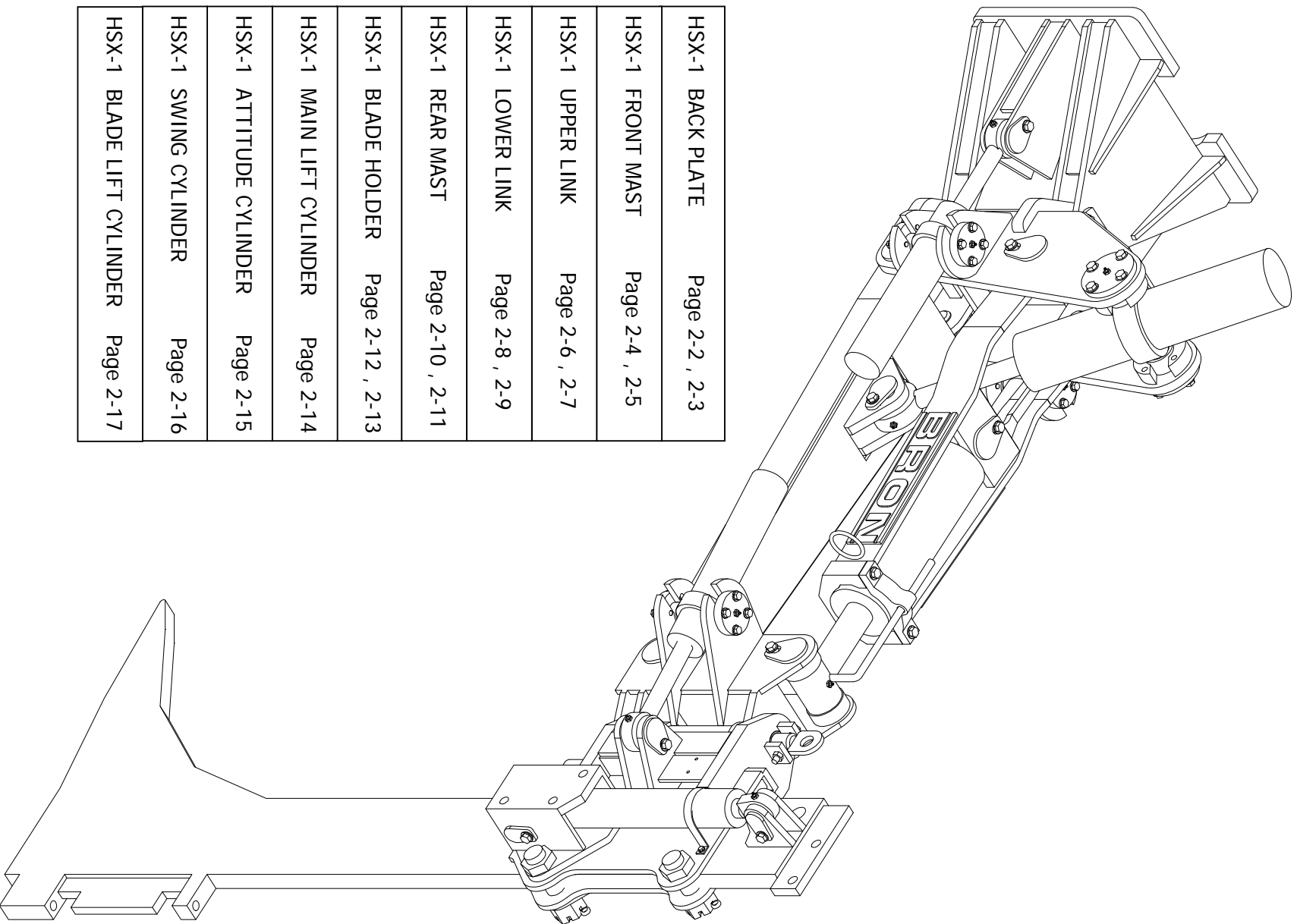


BRON STATIC PLOW

HSX-1 OVERVIEW

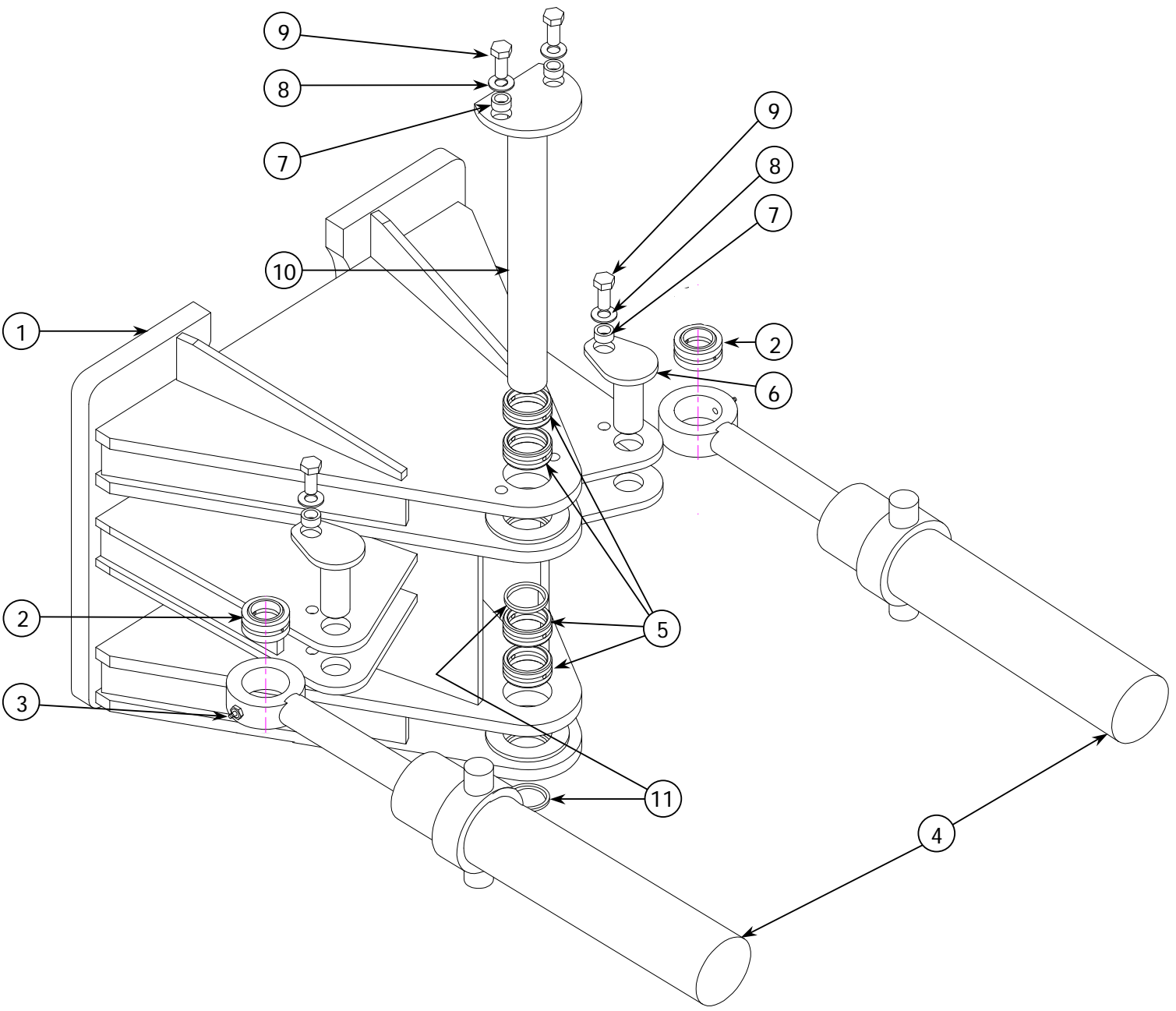
PARTS MANUAL



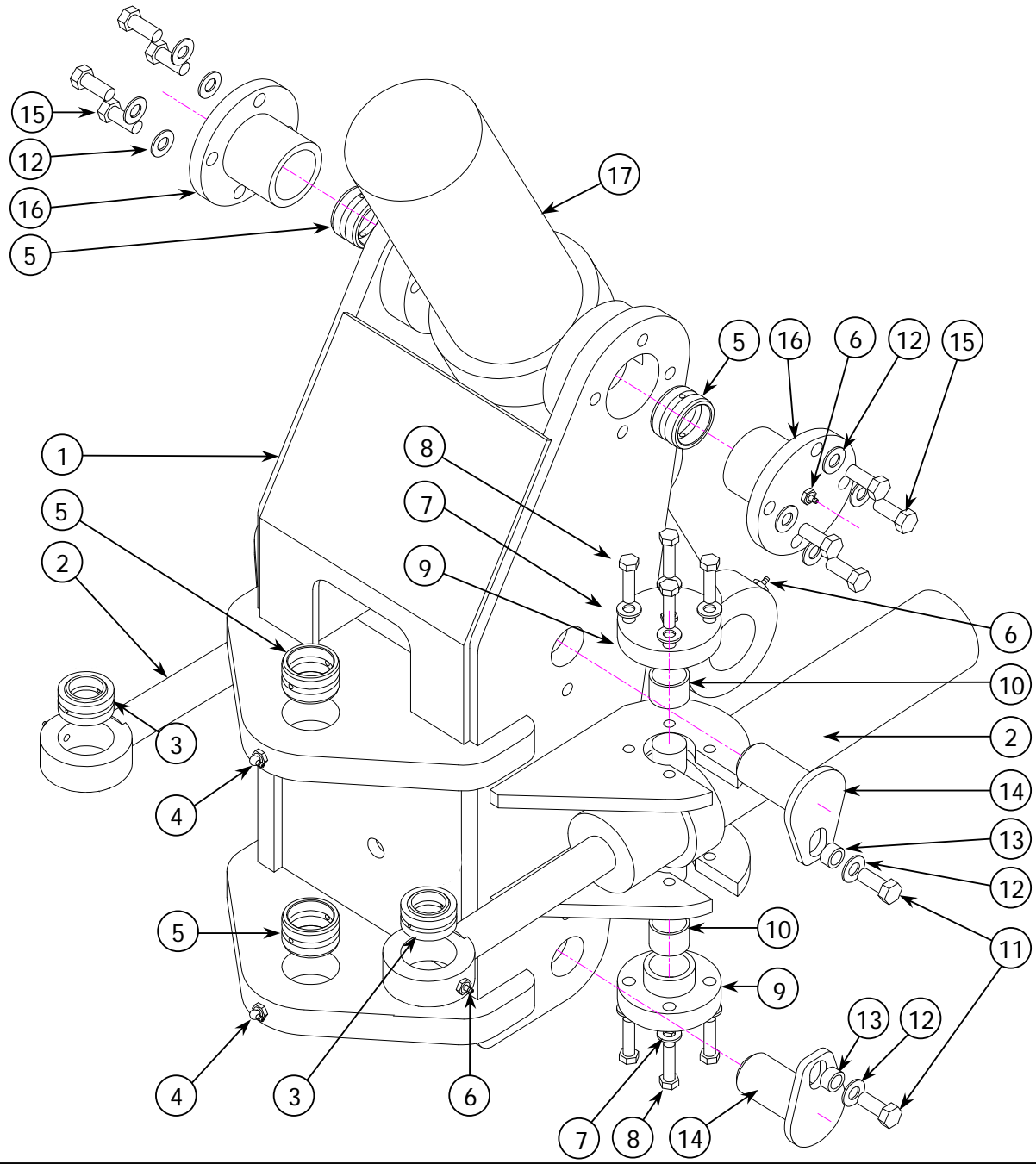
BRON STATIC PLOW

HSX-1 BACKPLATE

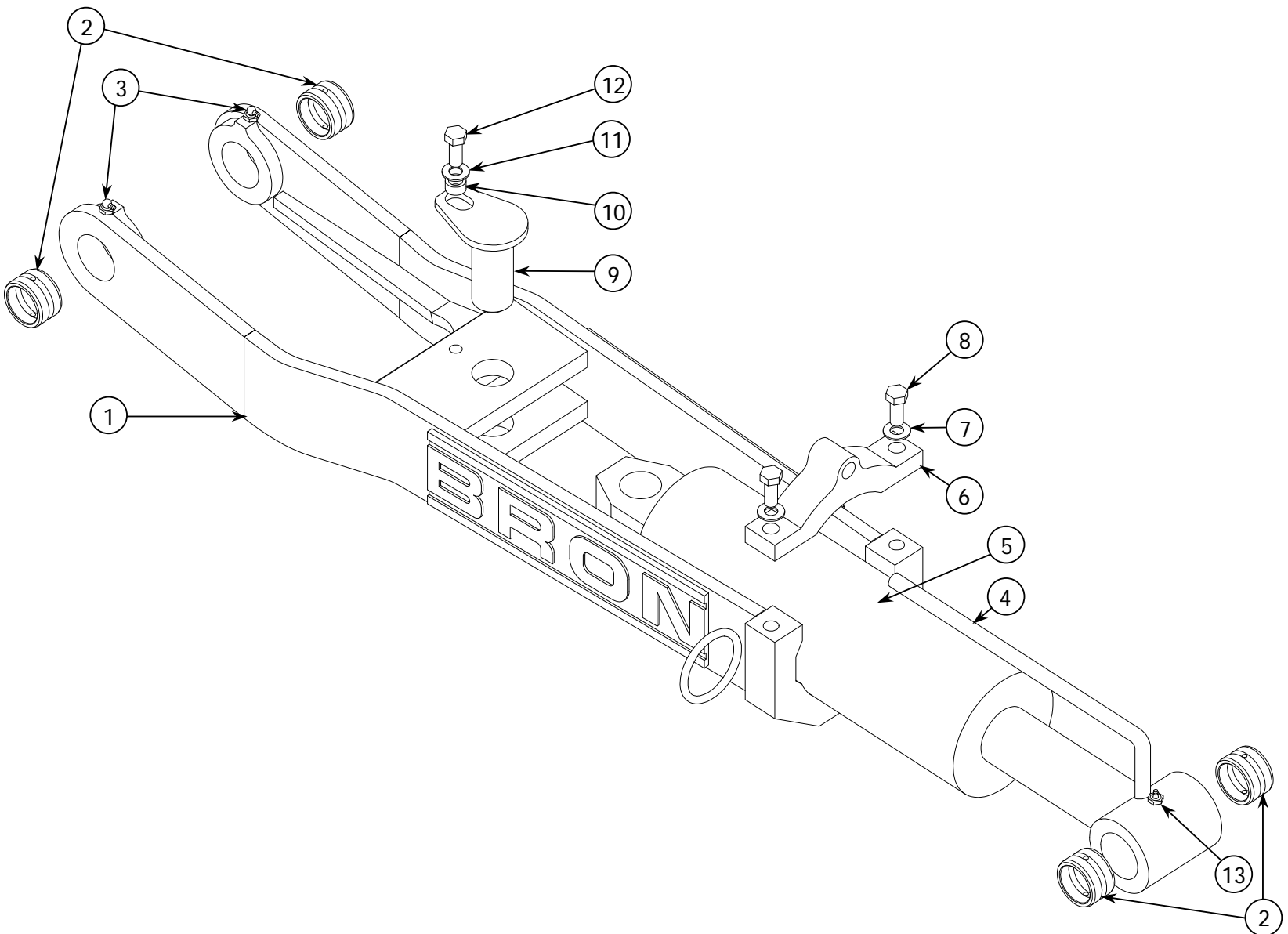
PARTS MANUAL



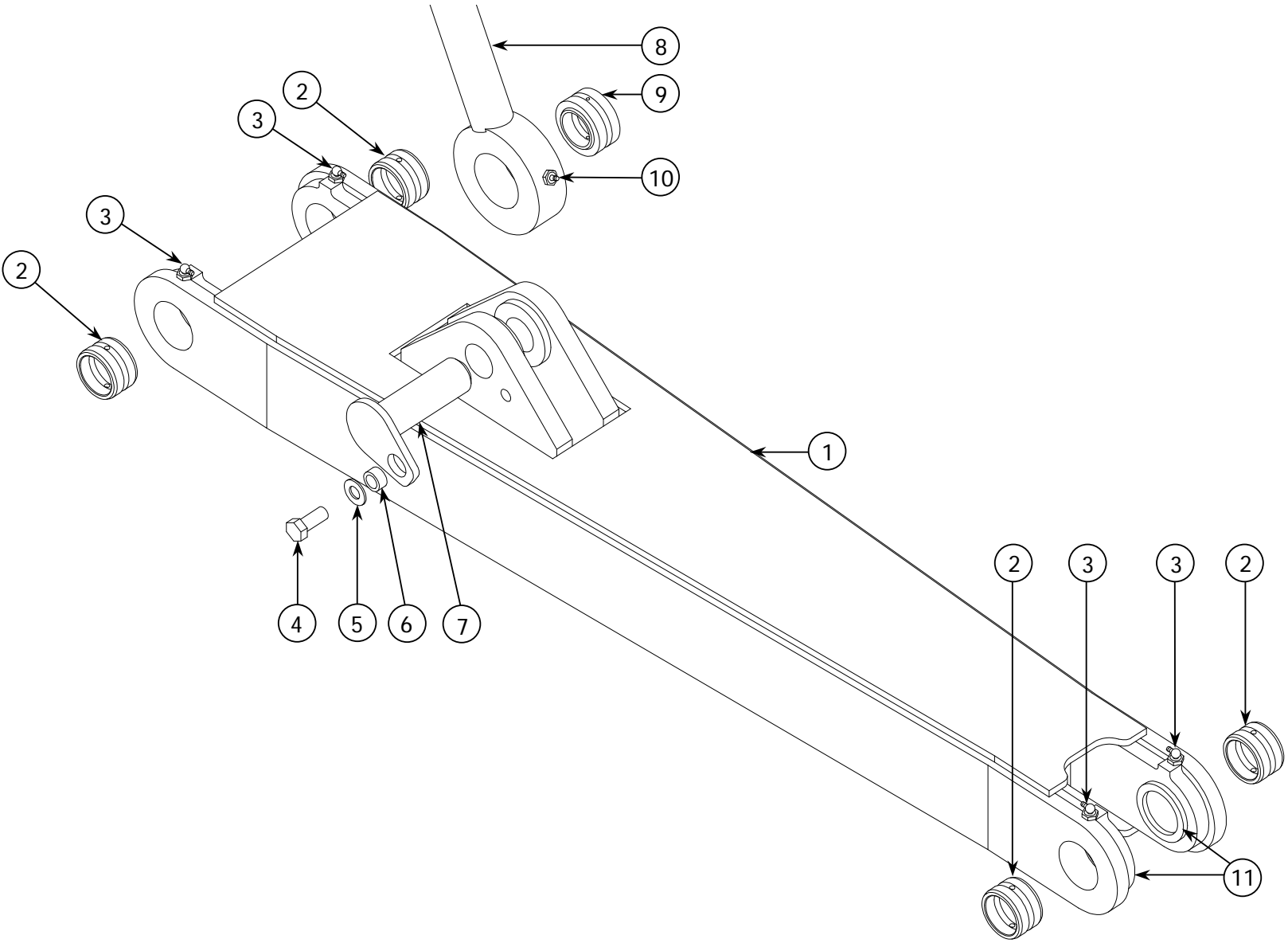
Item #	Part #	Description	Quantity
1		Backplate Assembly (Varies)	
2	10722	Swivel Bushing	2
3	80680	Grease Fitting	2
4	13808	Swing Cylinder	2
5	15352	Bushing	4
6	10494	Pin Assembly	2
7	115057	Spacer	4
8	80581	SAE Washer	4
9	80089	Bolt	4
10	13886	Pin Assembly	1
11		Retainer Plate	2



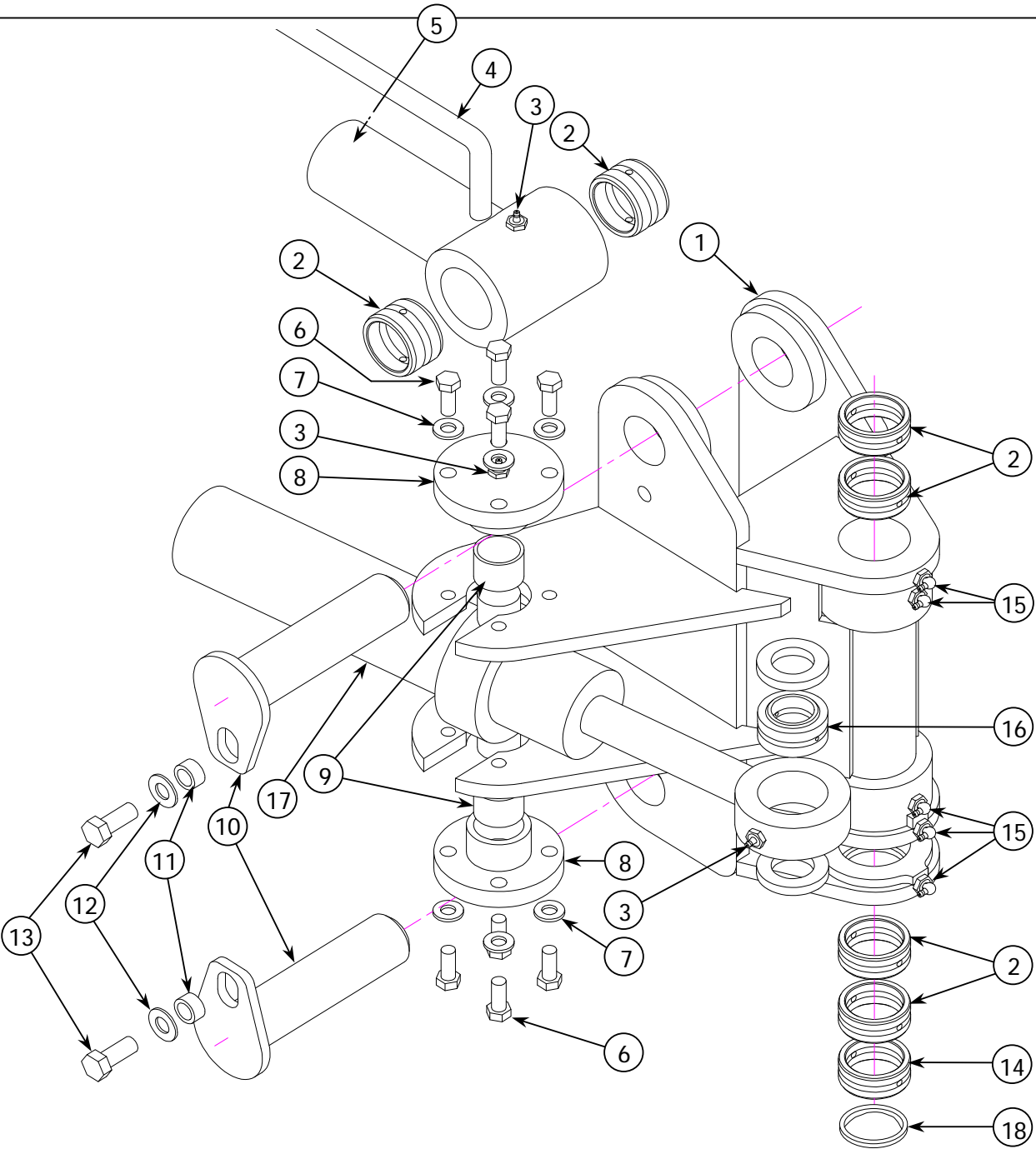
Item #	Part #	Description	Quantity
1	40426	Front Mast Weldment	1
2	13808	Swing Cylinder	2
3	10722	Swivel Bushing	2
4	80682	Grease Fitting	2
5	15352	Bushing	4
6	80680	Grease Fitting	9
7	80580	SAE washer	16
8	80073	Bolt	16
9	13877	Swing Cylinder Trunion	4
10	15351	Bushing	4
11	80089	Bolt	4
12	80581	SAE Washer	12
13	115057	Bushing	4
14	10706	Pin Assembly	4
15	80091	Bolt	8
16	13878	Main Lift Cylinder Trunion	2
17	13809	Main Lift Cylinder	1



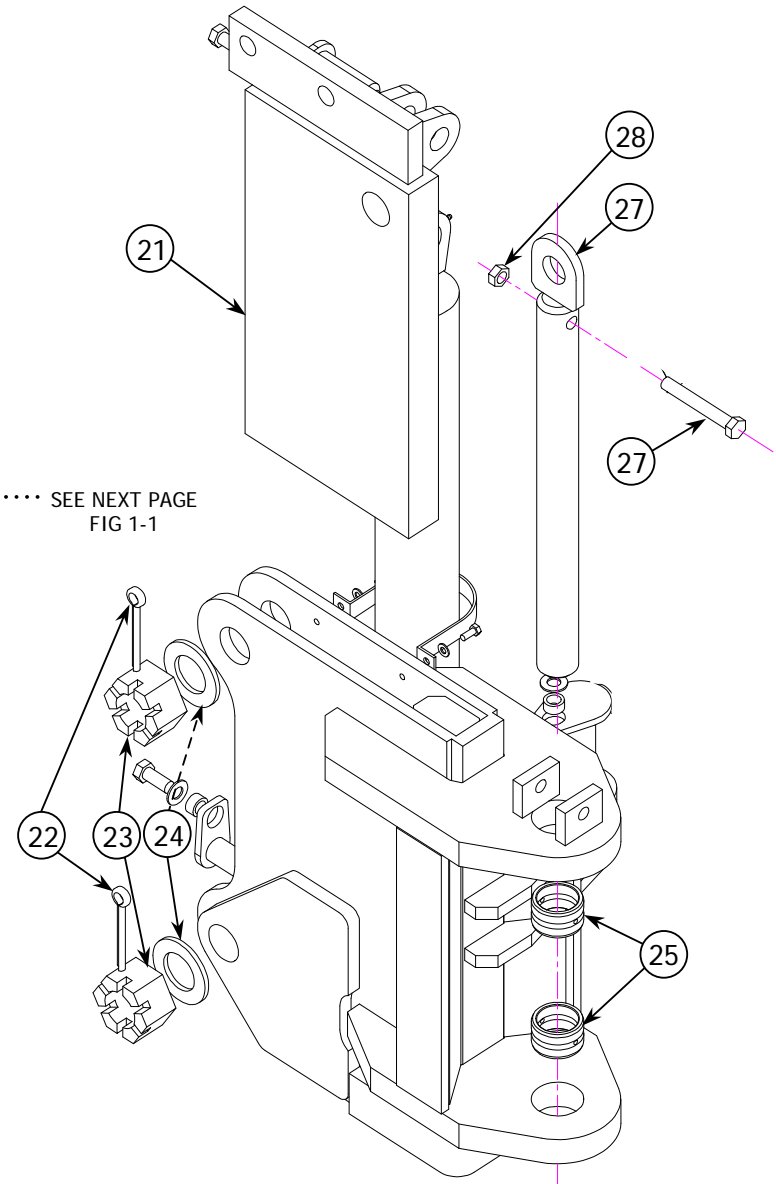
Item #	Part #	Description	Quantity
1	30356	Upper Link Weldment	1
2	15352	Bushing	4
3	80682	Grease Fitting	2
4	111781	Indicator	1
5	20238	Attitude Cylinder	1
6	17783	Cylinder Clamp	1
7	80582	SAE Washer	2
8	80111	Bolt	2
9	13891	Pin Assembly	1
10	115057	Bushing	1
11	80581	SAE Washer	1
12	80089	Bolt	1
13	80680	Grease Fitting	1



Item #	Part #	Description	Quantity
1	30358	Lower Link Weldment	1
2	115057	Bushing	2
3	80682	Grease Fitting	4
4	80089	Bolt	1
5	80581	SAE Washer	1
6	15352	Bushing	4
7	10498	Pin Assembly	1
8	13809	Main Lift Cylinder	1
9	10729	Swivel Bushing	1
10	80680	Grease Fitting	1
11		Retainer Plate	2

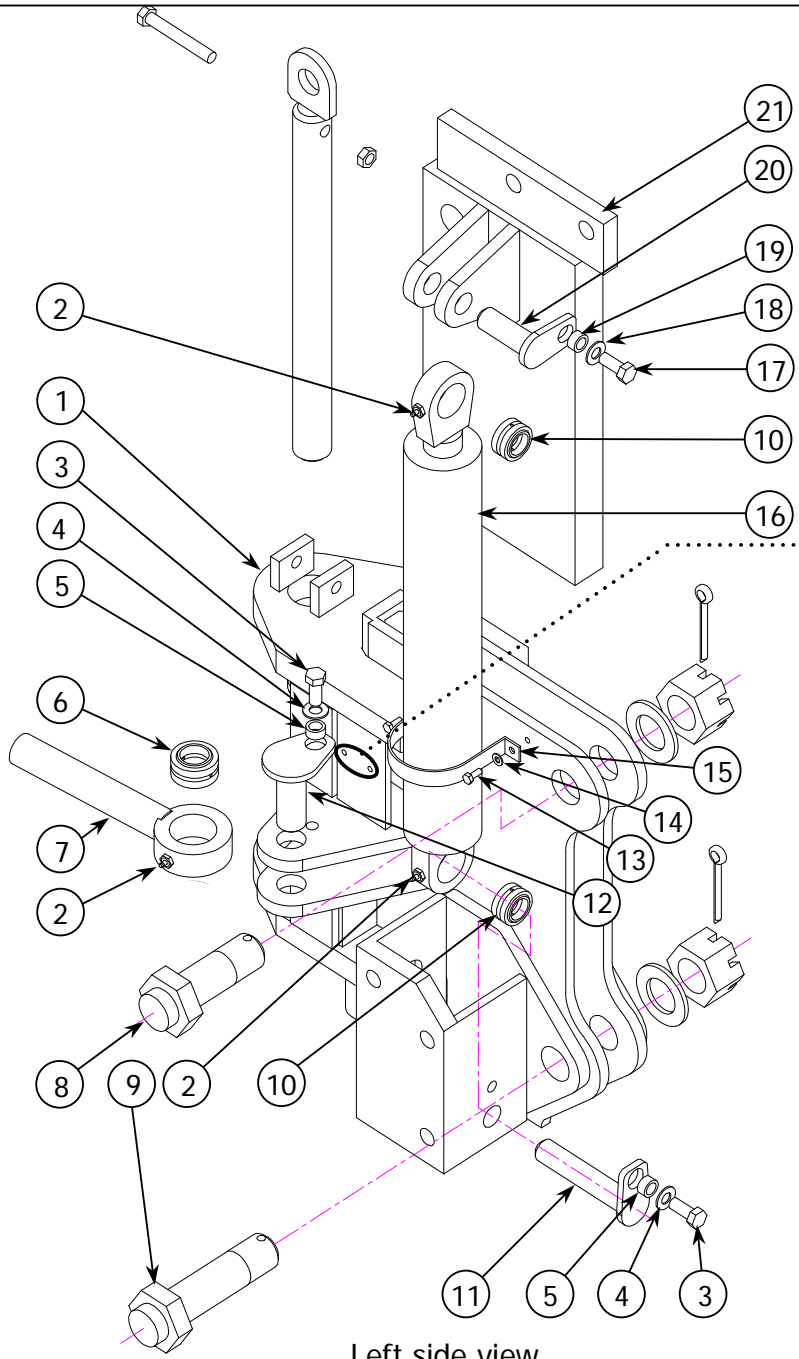


Item #	Part #	Description	Quantity
1	30357	Rear Mast Weldment	1
2	15352	Bushing	6
3	80680	Grease Fitting	4
4	111781	Indicator	1
5	20238	Attitude Cylinder	1
6	80073	Bolt	8
7	80580	SAE Washer	8
8	13877	Swing Cylinder Trunion	2
9	15351	Bushing	2
10	10496	Pin Assembly	2
11	115057	Bushing	2
12	80581	SAE Washer	2
13	80089	Bolt	2
14	15179	Bushing	1
15	80682	Grease Fitting	5
16	10722	Swivel Bushing	1
17	13808	Swing Cylinder	1
18		Retainer Plate	1



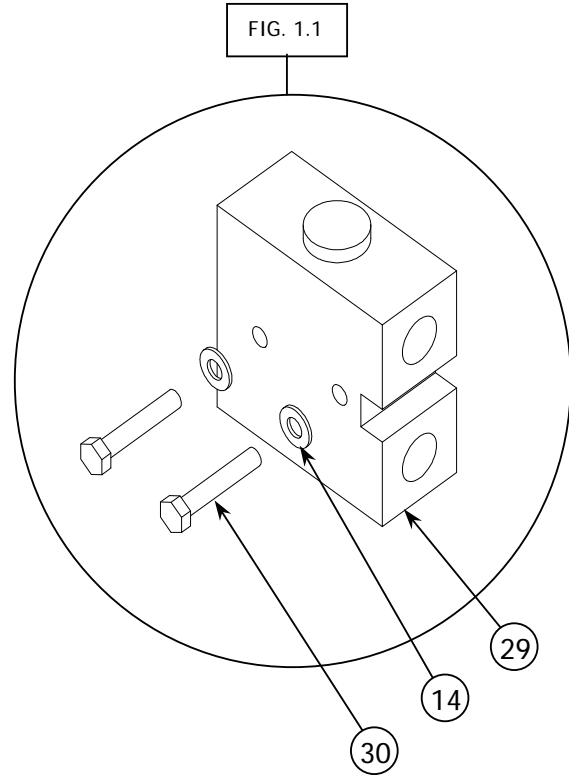
Right side view

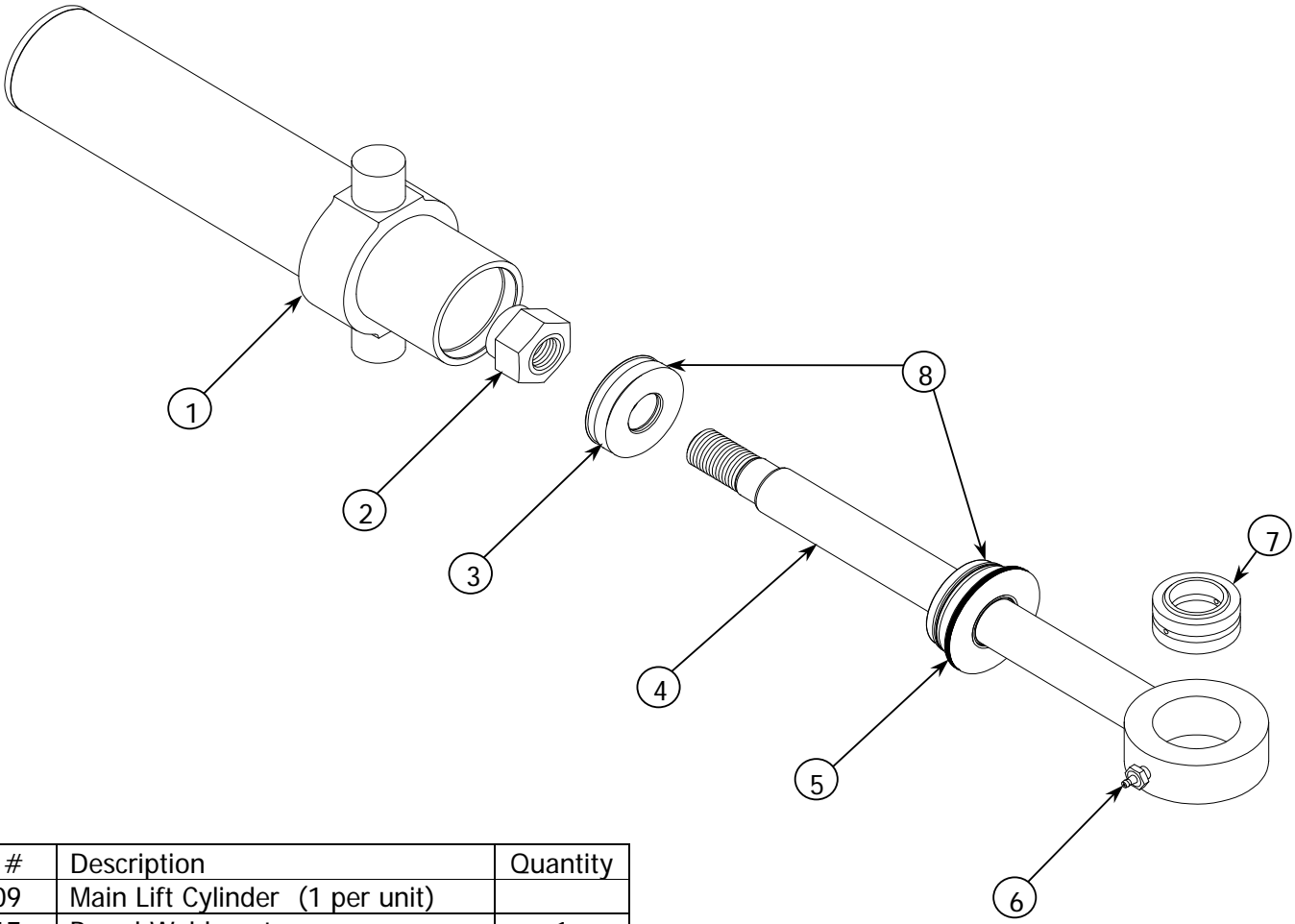
SEE NEXT PAGE
FIG 1-1



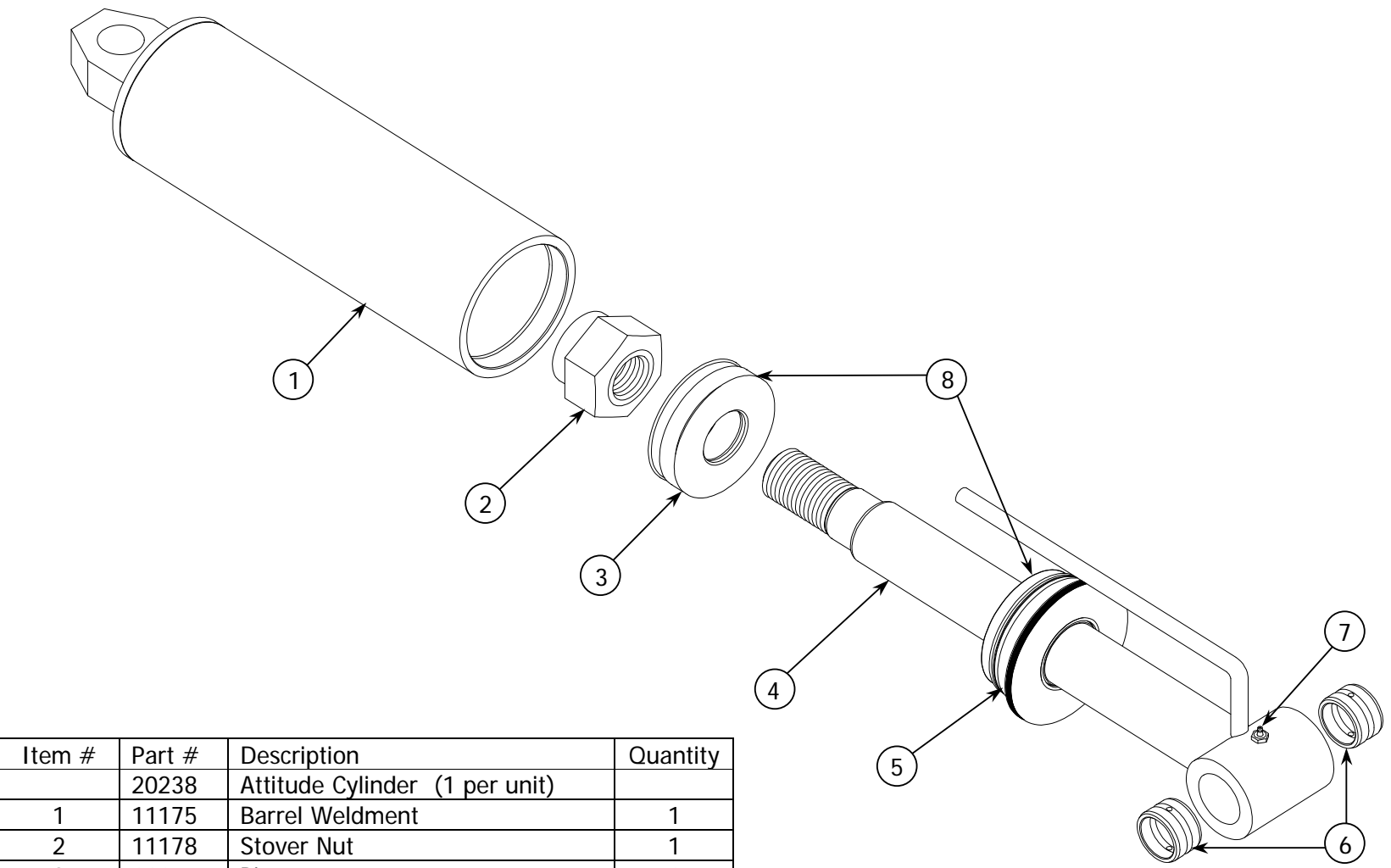
Left side view

Item #	Part #	Description	Quantity
1	30341	Blade Holder Weldment	1
2	80680	Grease Fitting	3
3	80089	Bolt	2
4	80581	SAE Washer	2
5	115057	Bushing	2
6	10722	Swivel Bushing	1
7	13808	Swing Cylinder	1
8	16064	Pin Assembly	1
9	10710	Pin Assembly	1
10	12981	Swivel Bushing	2
11	13746	Pin Assembly	1
12	10494	Pin Assembly	1
13	80014	Bolt	2
14	80564	Lock Washer	4
15	13175	Guard	1
16	13744	Blade Lift Cylinder	1
17	80070	Bolt	1
18	80580	SAE Washer	1
19	115800	Bushing	1
20	12977	Pin Assembly	1
21		Blade (VARIES)	1
22	80660	Cotter Pin	2
23	81544	Castle Nut	2
24	11898	Washer	2
25	15352	Bushing	2
26	80101	Bolt	1
27	13890	Pin Assembly	1
28	80516	Lock Nut	1
29	13161	Double Lock Valve	1
30	80020	Bolt	2

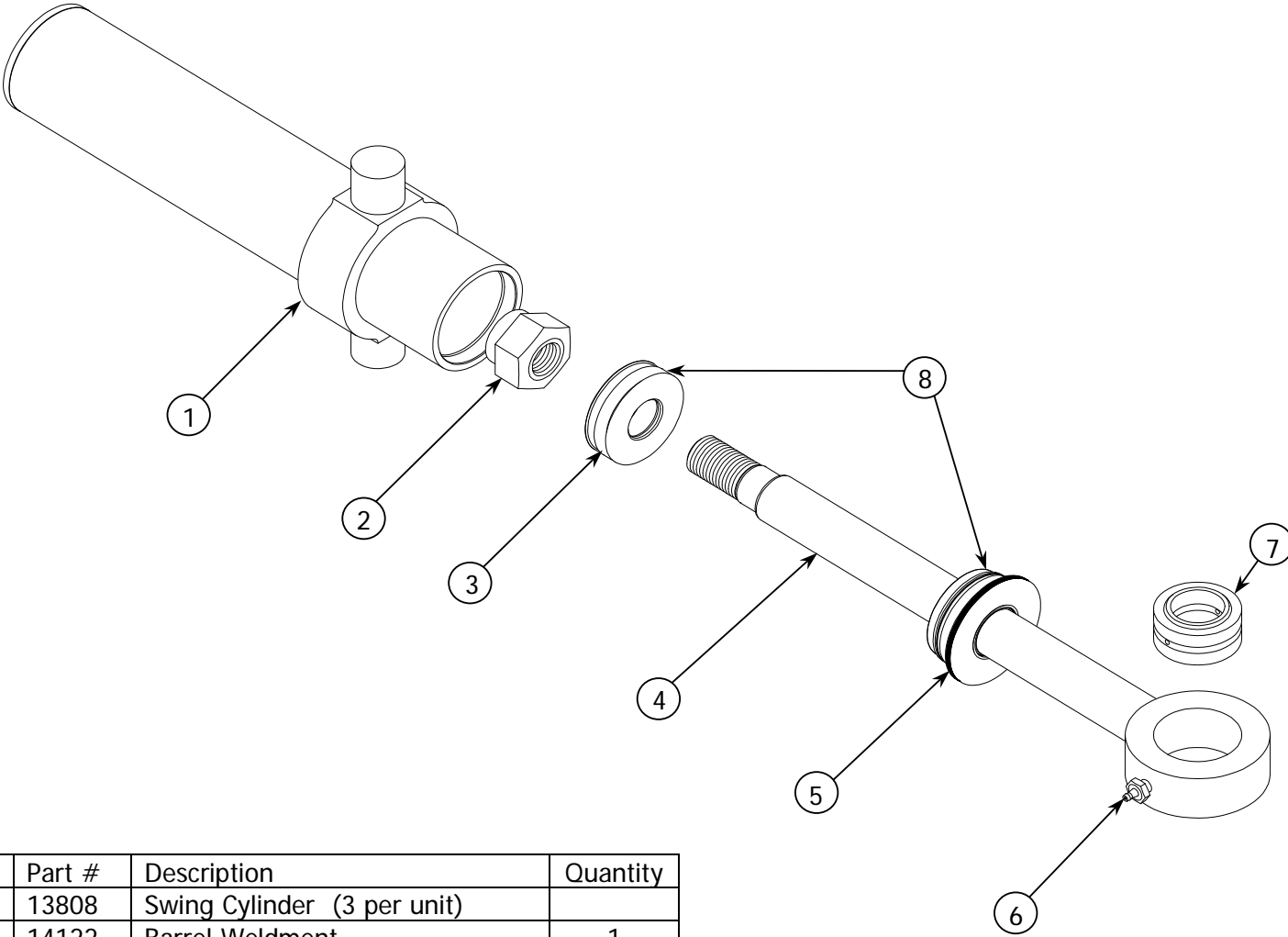




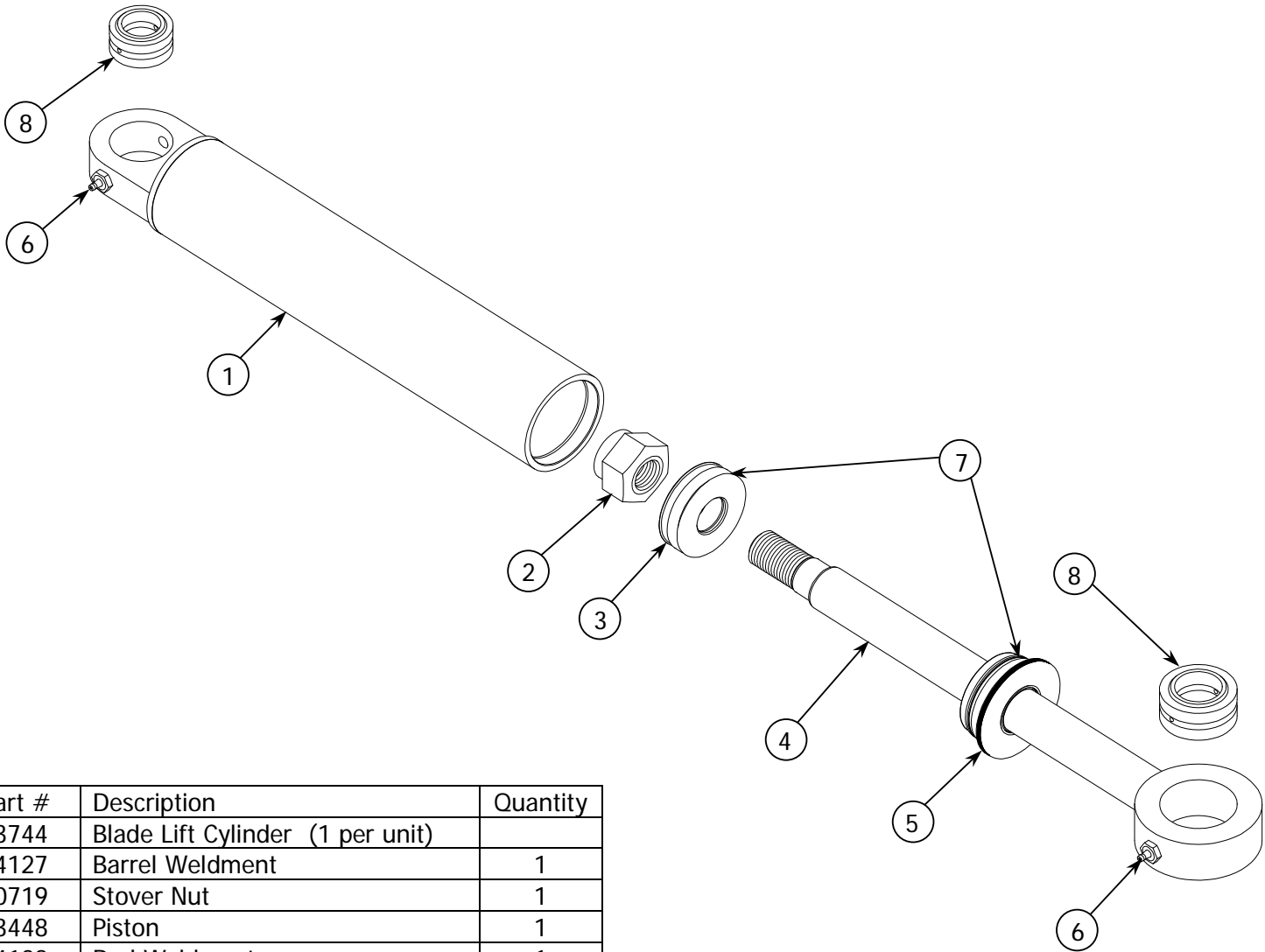
Item #	Part #	Description	Quantity
	13809	Main Lift Cylinder (1 per unit)	
1	14117	Barrel Weldment	1
2	10726	Stover Nut	1
3	14119	Piston	1
4	14118	Rod Weldment	1
5	14120	Gland	1
6	80680	Grease Fitting	1
7	10729	Swivel Bushing	1
8	14121	Seal Kit	1



Item #	Part #	Description	Quantity
	20238	Attitude Cylinder (1 per unit)	
1	11175	Barrel Weldment	1
2	11178	Stover Nut	1
3	11177	Piston	1
4	11176	Rod Weldment	1
5	11179	Gland	1
6	15352	Bushing	2
7	80680	Grease Fitting	1
8	11180	Seal Kit	1



Item #	Part #	Description	Quantity
	13808	Swing Cylinder (3 per unit)	
1	14122	Barrel Weldment	1
2	10719	Stover Nut	1
3	14124	Piston	1
4	14123	Rod Weldment	1
5	14125	Gland	1
6	80680	Grease Fitting	1
7	10722	Swivel Bushing	1
8	14126	Seal Kit	1



Item #	Part #	Description	Quantity
	13744	Blade Lift Cylinder (1 per unit)	
1	14127	Barrel Weldment	1
2	10719	Stover Nut	1
3	13448	Piston	1
4	14128	Rod Weldment	1
5	13449	Gland	1
6	80680	Grease Fitting	2
7	13450	Seal Kit	1
8	12981	Swivel Bushing	2