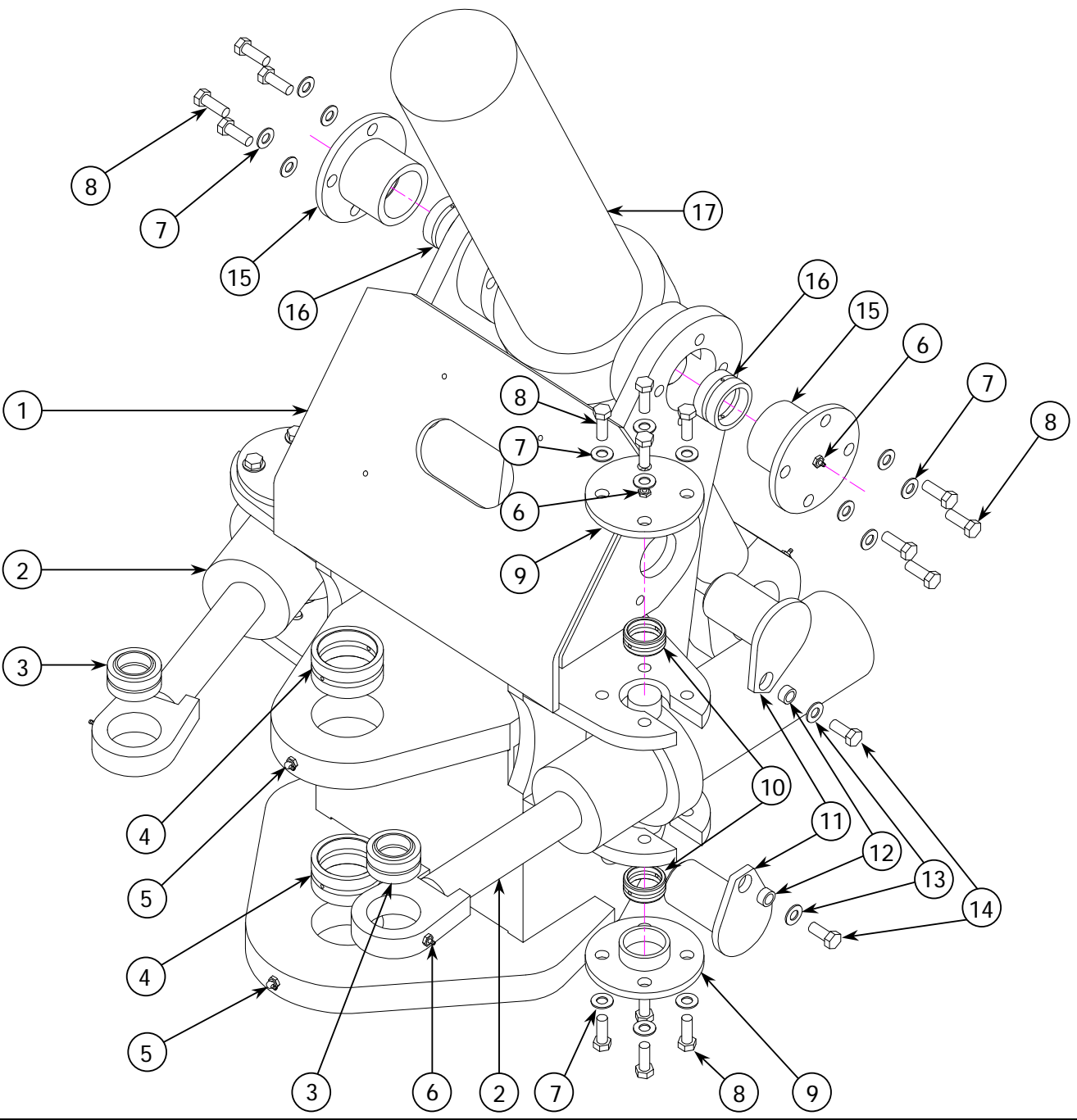
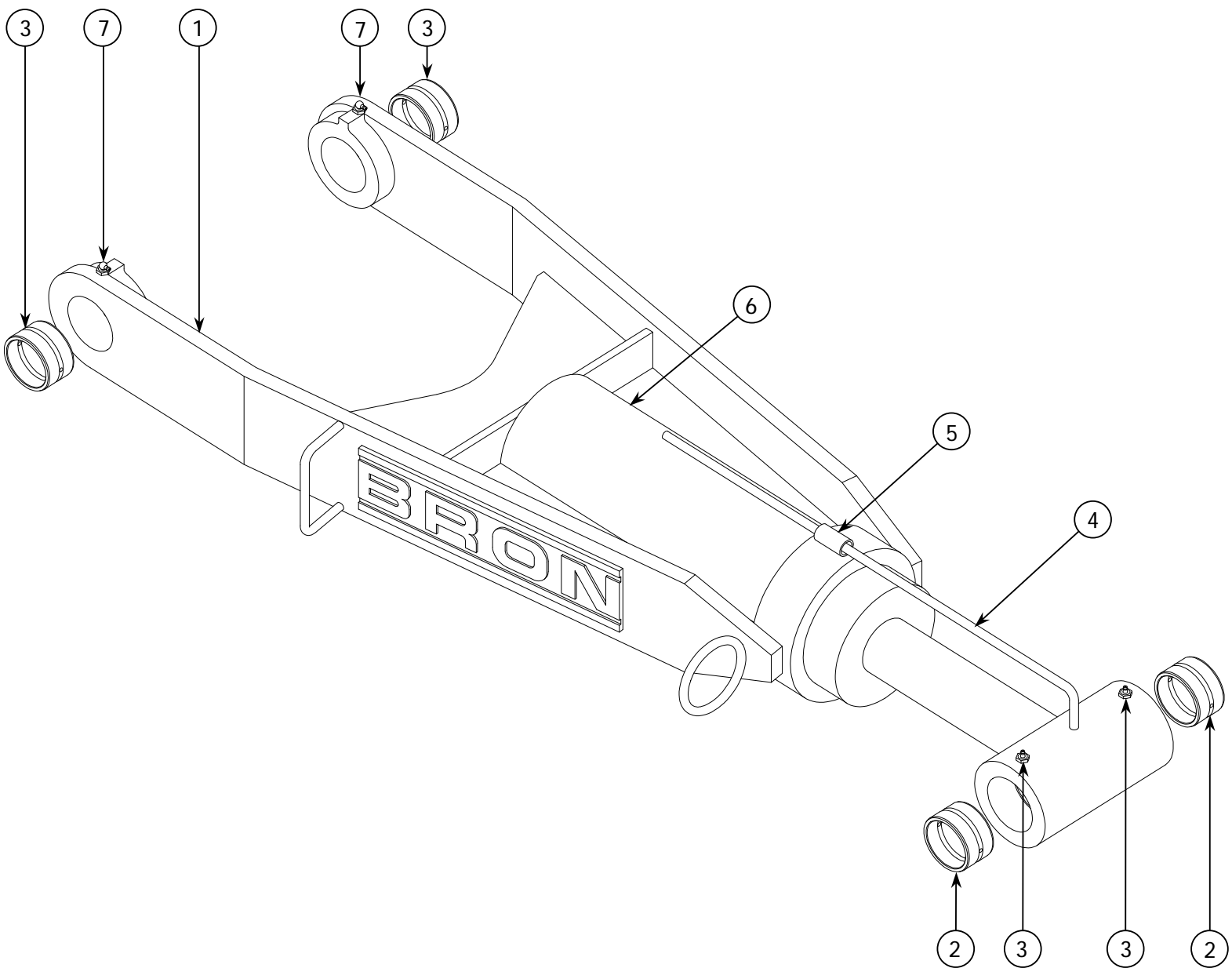


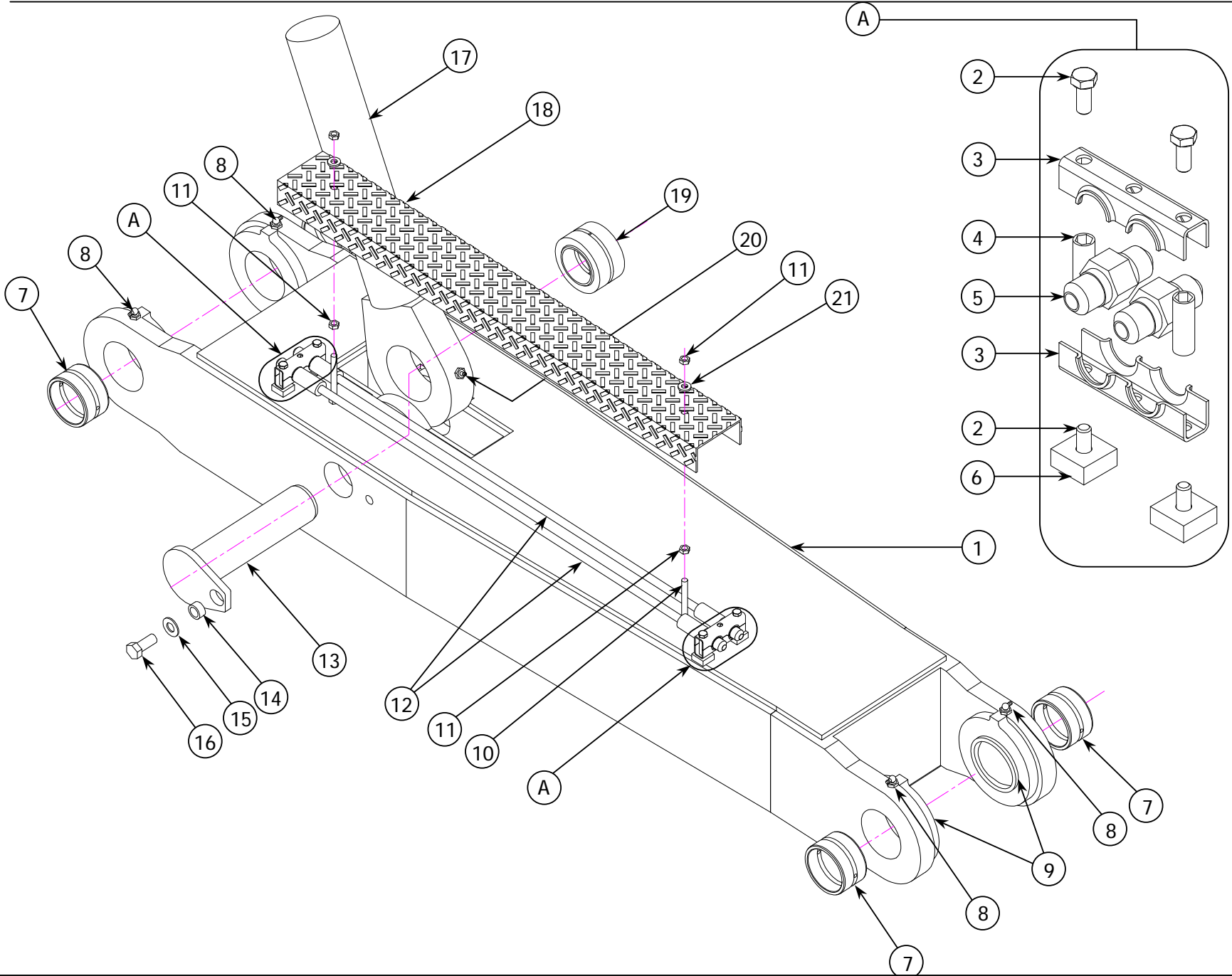
Item #	Part #	Description	Quantity
1		Backplate Assembly (Varies)	
2	80680	Grease Fitting	2
3	12232	Swing Cylinder	2
4	15459	Bushing	2
5	13033	Retainer Plate	2
6	12025	Swivel Bushing	4
7	12973	Pin Assembly	1
8	114862	Bushing	3
9	80555	SAE Washer	5
10	80090	Bolt	5
11	115057	Bushing	2
12	12270	Pin Assembly	2



Item #	Part #	Description	Quantity
1	40376	Front Mast Weldment	1
2	12232	Swing Cylinder	2
3	15459	Swivel Bushing	2
4	12025	Bushing	2
5	80682	Grease Fitting	2
6	80680	Grease Fitting	9
7	80569	SAE Washer	24
8	80110	Bolt	24
9	12975	Swing Cylinder Trunion	4
10	15179	Bushing	4
11	12273	Pin Assembly	4
12	114862	Bushing	4
13	80555	SAE Washer	4
14	80091	Bolt	4
15	12976	Trunion	2
16	12017	Bushing	2
17	12236	Main Lift Cylinder	1



Item #	Part #	Description	Quantity
1	30327	Upper Link Weldment	1
2	15181	Bushing	4
3	80680	Grease Fitting	2
4	16796	Indicator Rod	1
5	16793	Indicator Guide	1
6	12244	Attitude Cylinder	1
7	80682	Grease Fitting	2



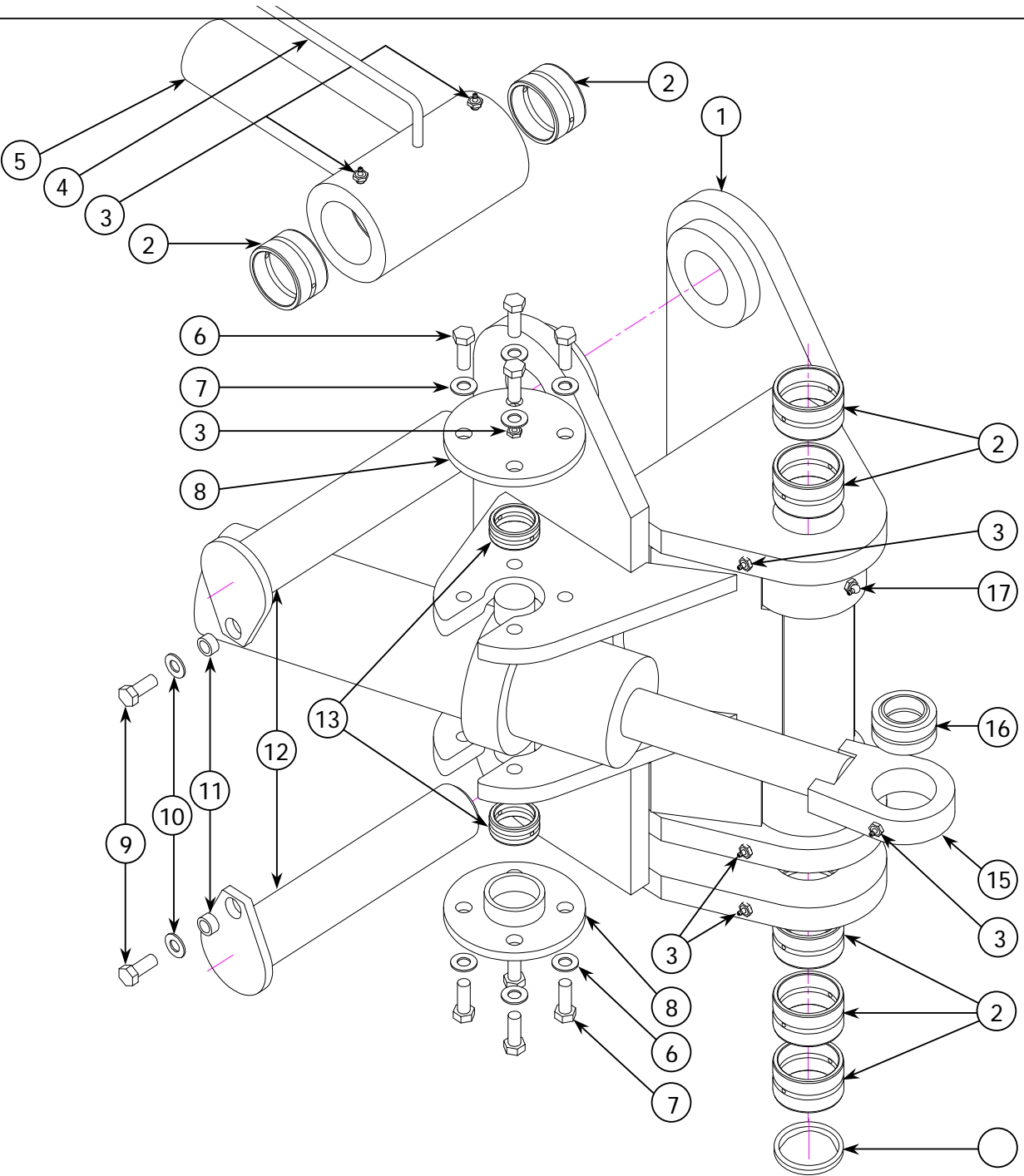
HSO LOWER LINK

BRON STATIC PLOW

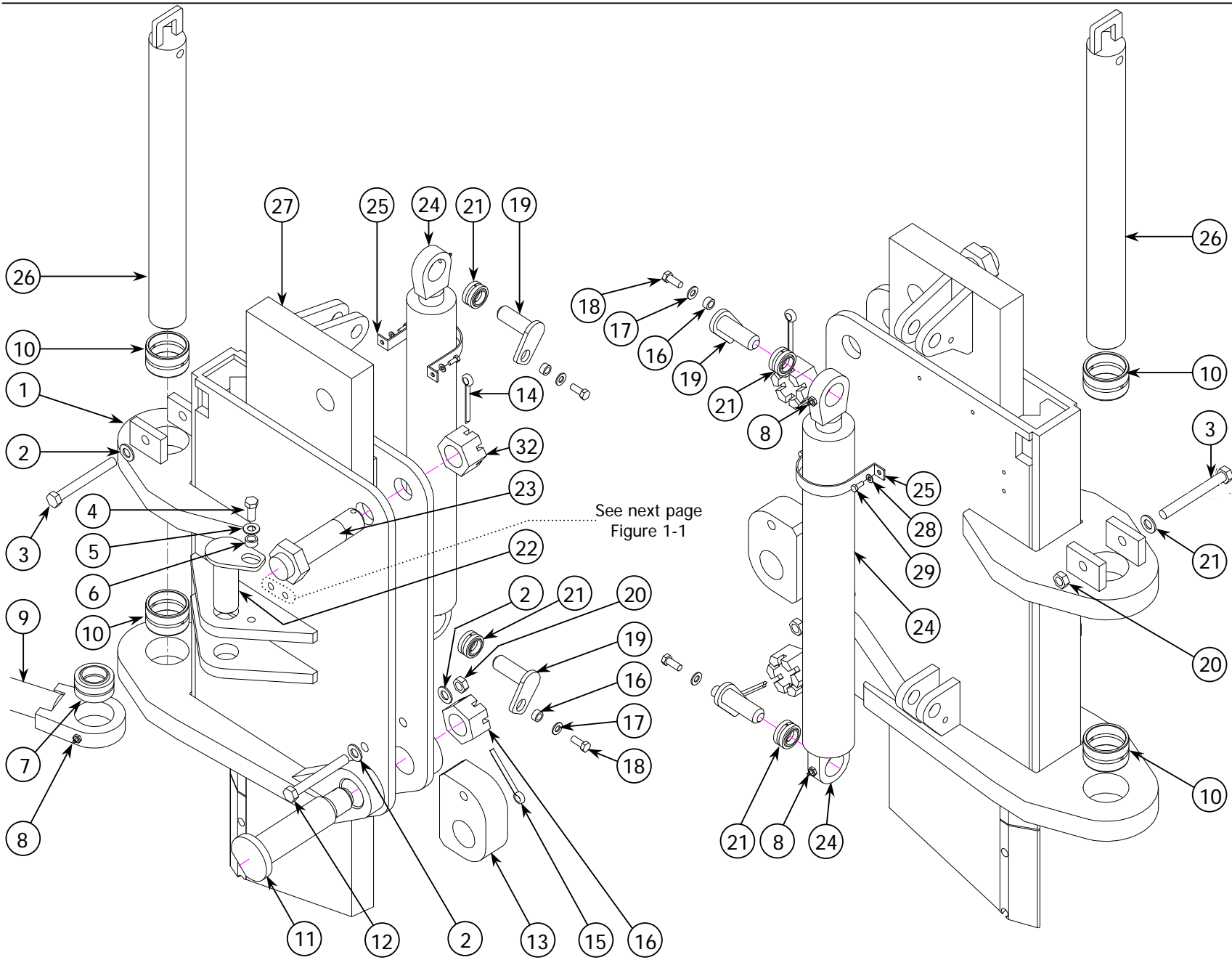
PARTS MANUAL

Item #	Part #	Description	Quantity
1	40390	Lower Link Weldment	1
7	15181	Bushing	4
8	80682	Grease Fitting	4
9		Retaining Plate	2
13	12969	Pin Assembly	1
14	114862	Bushing	1
15	80581	SAE Washer	1
16	80090	Bolt	1
17	12236	Main Lift Cylinder	1
19	12003	Bushing	1
20	80680	Grease Fitting	1
21	80568	Lock Washer	2

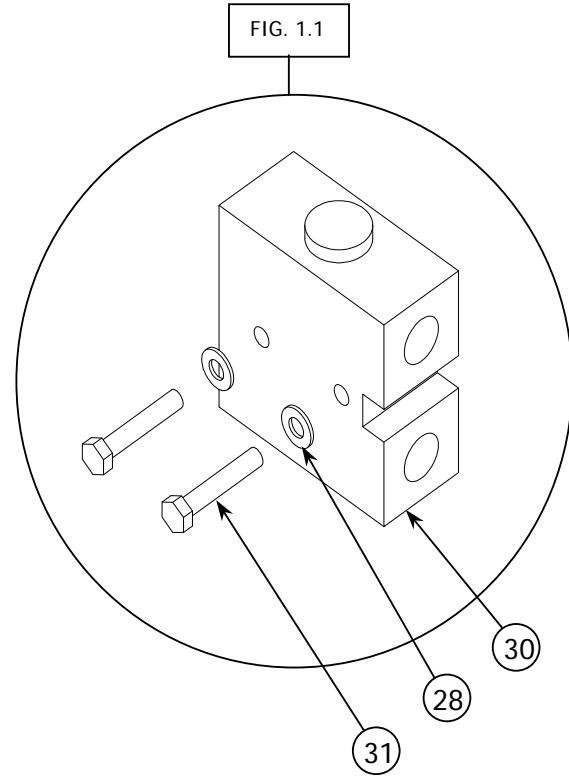
Item #	Part #	Description	Qty. Fixed Pin	Qty. Hyd. Adj
2	80014	Bolt	8	16
3	90890	Clamping Unit (includes top and bottom)	2	4
4	90891	Stacking Nut	4	8
5	90894	Junction Adapter	4	8
6	90893	Weld Adapter	4	8
10	80039	Bolt	2	4
11	80502	Nut	4	8
12	13167	Tube Assembly	2	4
18	13176	Guard	1	2

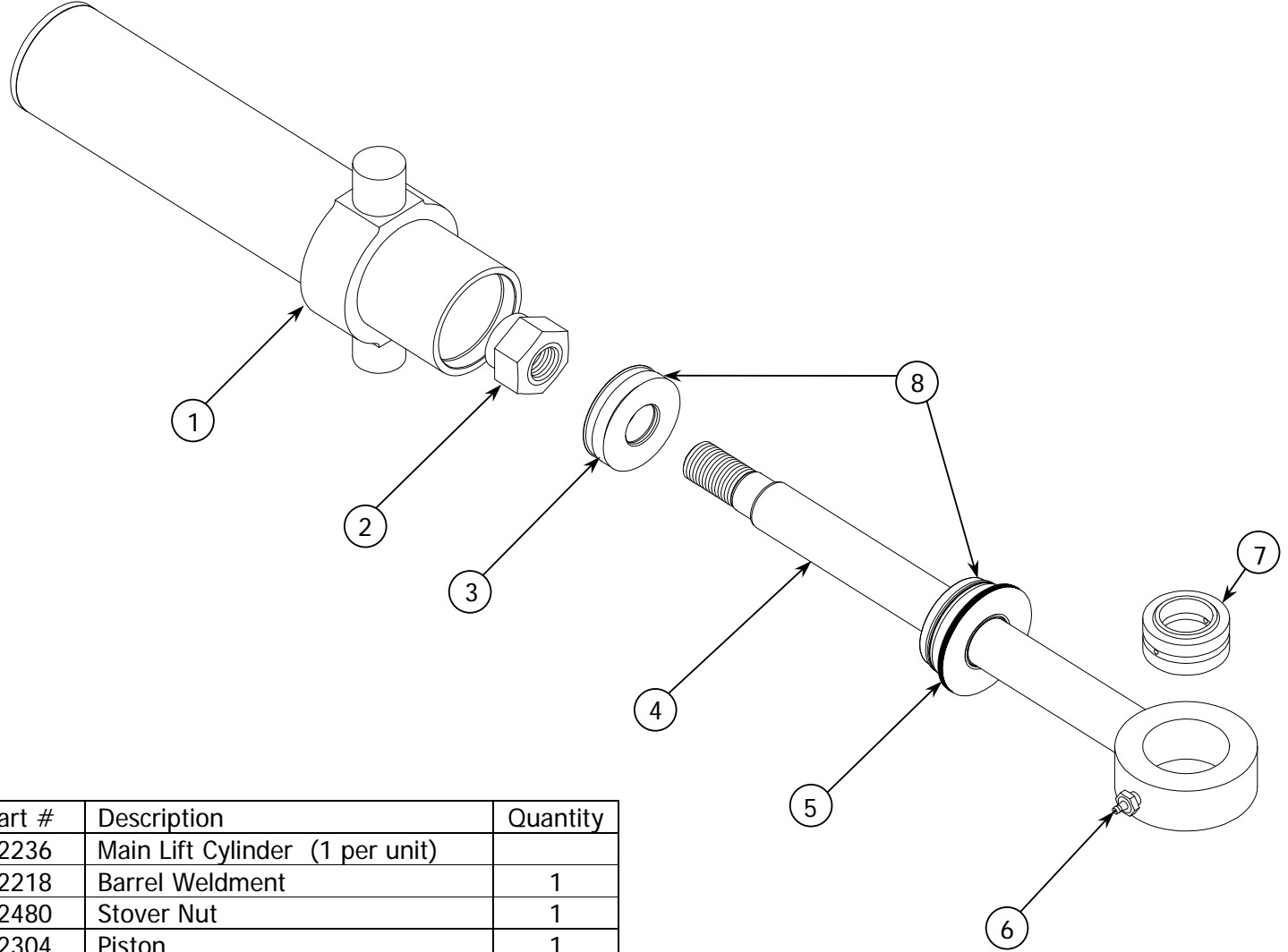


Item #	Part #	Description	Quantity
1	40379	Rear Mast Weldment	1
2	15181	Bushing	7
3	80680	Grease Fitting	8
4	11796	Indicator	1
5	12244	Attitude Cylinder	1
6	80110	Bolt	8
7	80569	SAE Washer	8
8	12975	Swing Cylinder Trunion	2
9	80091	Bolt	2
10	80555	SAE Washer	2
11	114862	Bushing	2
12	12276	Pin Assembly	2
13	15179	Bushing	2
14	13033	Retainer Plate	1
15	12232	Swing Cylinder	1
16	15459	Swivel Bushing	1
17	80682	Grease Fitting	2

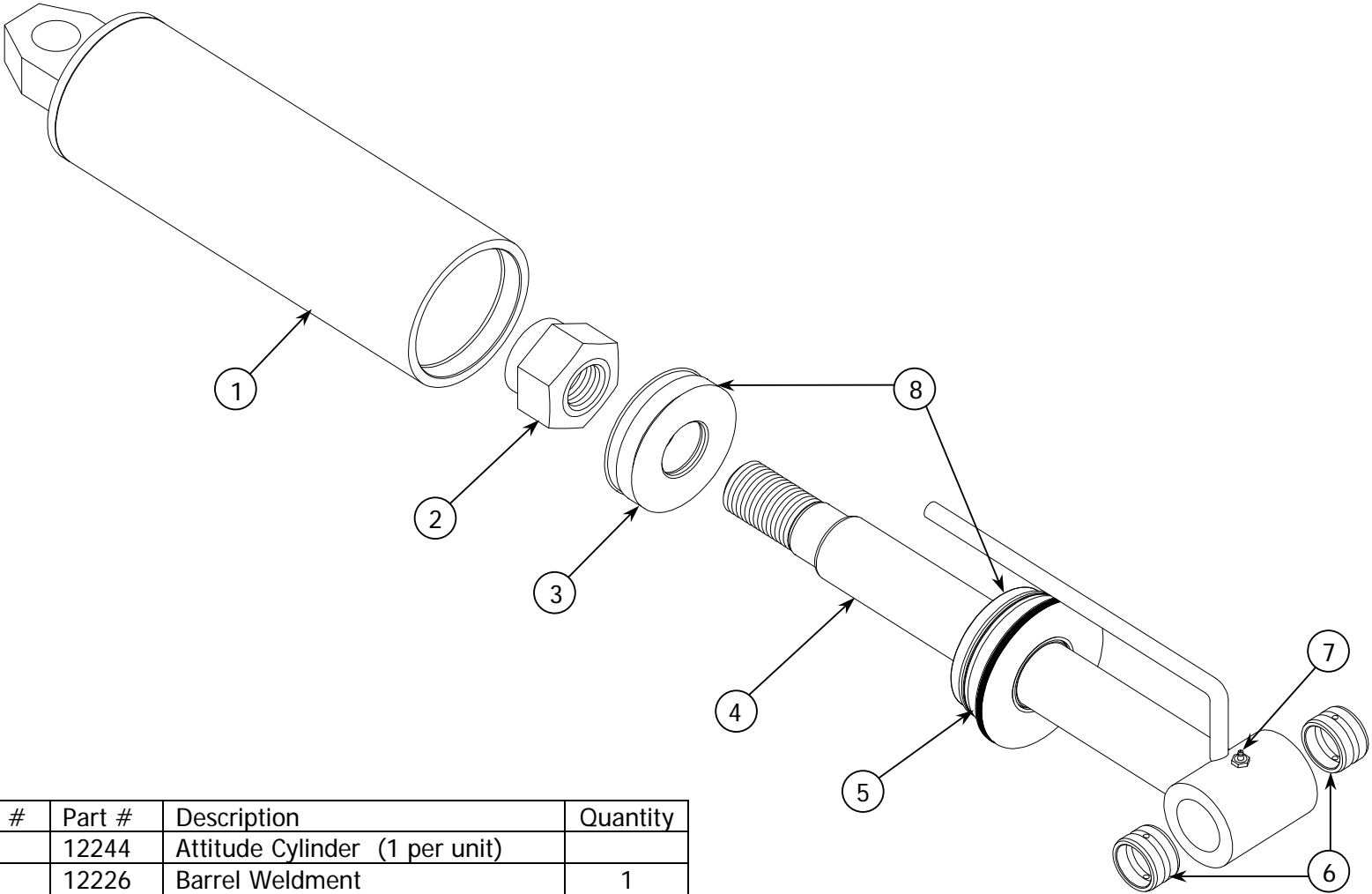


Item #	Part #	Description	Quantity
1	31279	Blade Holder Weldment	1
	40380	Blade Holder Fixed Pin	
2	80569	SAE Washer	2
3	80124	Bolt	1
4	80090	Bolt	1
5	80555	SAE Washer	1
6	115057	Bushing	1
7	15459	Swivel Bushing	1
8	80680	Grease Fitting	3
9	12232	Swing Cylinder	1
10	15181	Bushing	2
11	12982	Pin Assembly	1
12	80121	Bolt	1
13	14811	Spacer Bar	1
14	80660	Cotter Pin	2
15	80544	Castle Nut	1
16	114862	Bushing	2
17	80567	SAE Washer	2
18	80070	Bolt	2
19	12977	Pin Assembly	2
20	80506	Nut	1
21	12981	Swivel Bushing	2
22	10493	Pin Assembly	1
23	10710	Pin Assembly	1
24	12910	Lift Cylinder	1
25	13175	Guard	1
26	12963	Pin Assembly	1
27		Blade (Varies)	
28	80564	Lock Washer	4
29	80014	Bolt	2
30	13161	Double Lock Valve	1
31	80020	Bolt	2
32	81544	Castle Nut	1

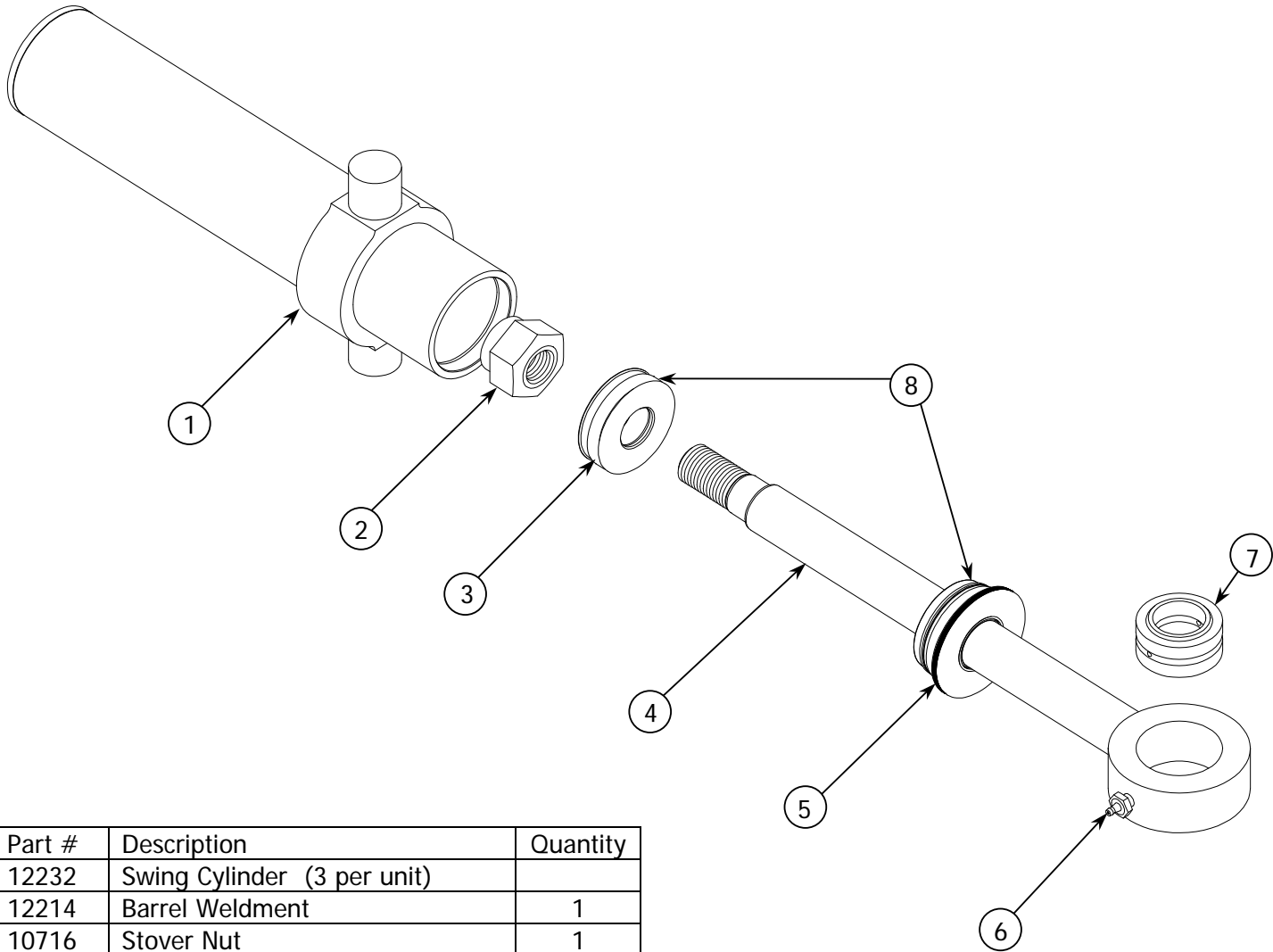




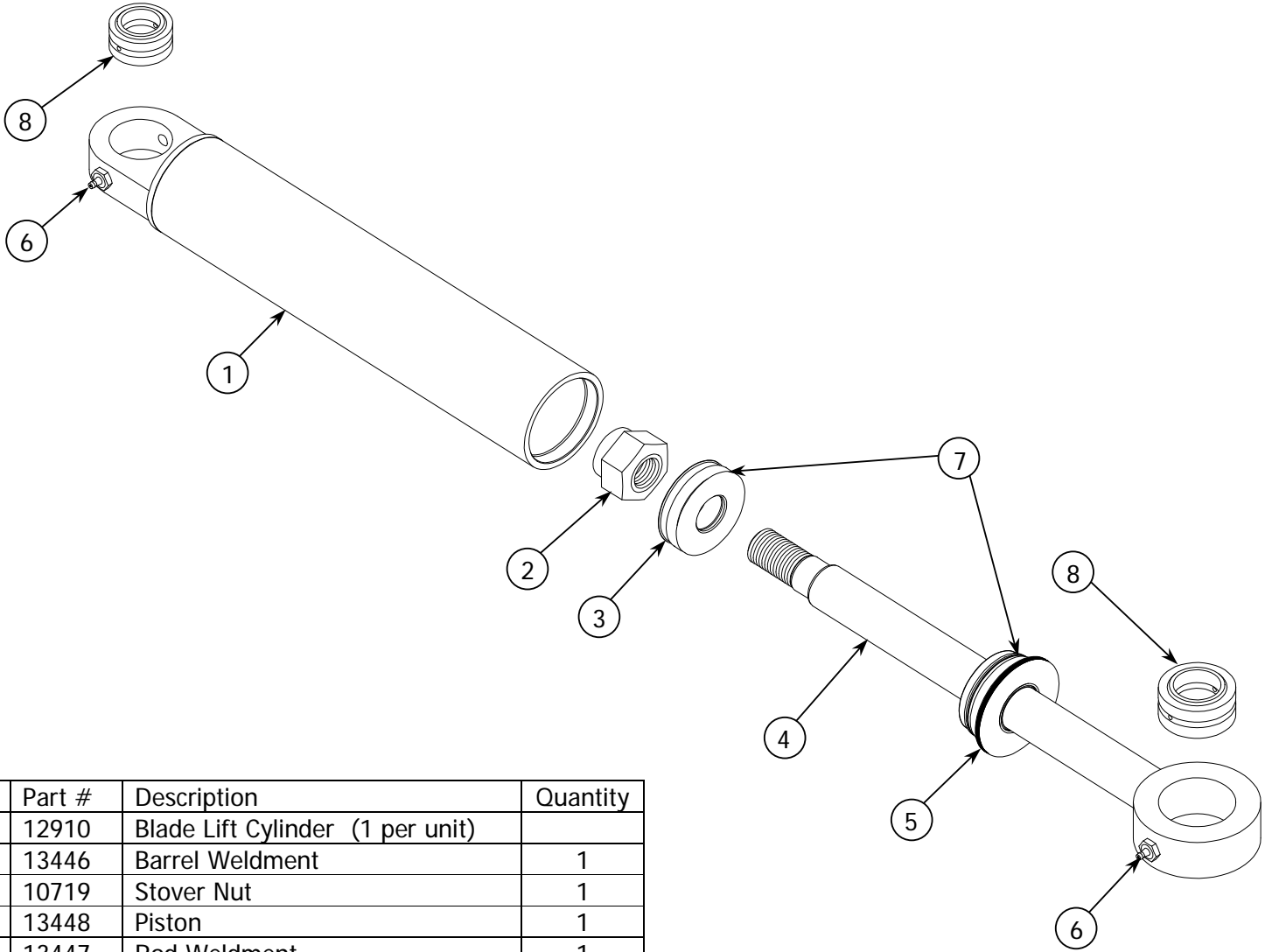
Item #	Part #	Description	Quantity
	12236	Main Lift Cylinder (1 per unit)	
1	12218	Barrel Weldment	1
2	12480	Stover Nut	1
3	12304	Piston	1
4	12322	Rod Weldment	1
5	12254	Gland	1
6	80680	Grease Fitting	1
7	12003	Swivel Bushing	1
8	12496	Seal Kit	1



Item #	Part #	Description	Quantity
	12244	Attitude Cylinder (1 per unit)	
1	12226	Barrel Weldment	1
2	12480	Stover Nut	1
3	12304	Piston	1
4	12330	Rod Weldment	1
5	12254	Gland	1
6	15181	Bushing	2
7	80680	Grease Fitting	1
8	12496	Seal Kit	1



Item #	Part #	Description	Quantity
	12232	Swing Cylinder (3 per unit)	
1	12214	Barrel Weldment	1
2	10716	Stover Nut	1
3	12300	Piston	1
4	12318	Rod Weldment	1
5	12250	Gland	1
6	80680	Grease Fitting	1
7	15459	Swivel Bushing	1
8	12495	Seal Kit	1



Item #	Part #	Description	Quantity
	12910	Blade Lift Cylinder (1 per unit)	
1	13446	Barrel Weldment	1
2	10719	Stover Nut	1
3	13448	Piston	1
4	13447	Rod Weldment	1
5	13449	Gland	1
6	80680	Grease Fitting	2
7	13450	Seal Kit	1
8	12981	Swivel Bushing	2